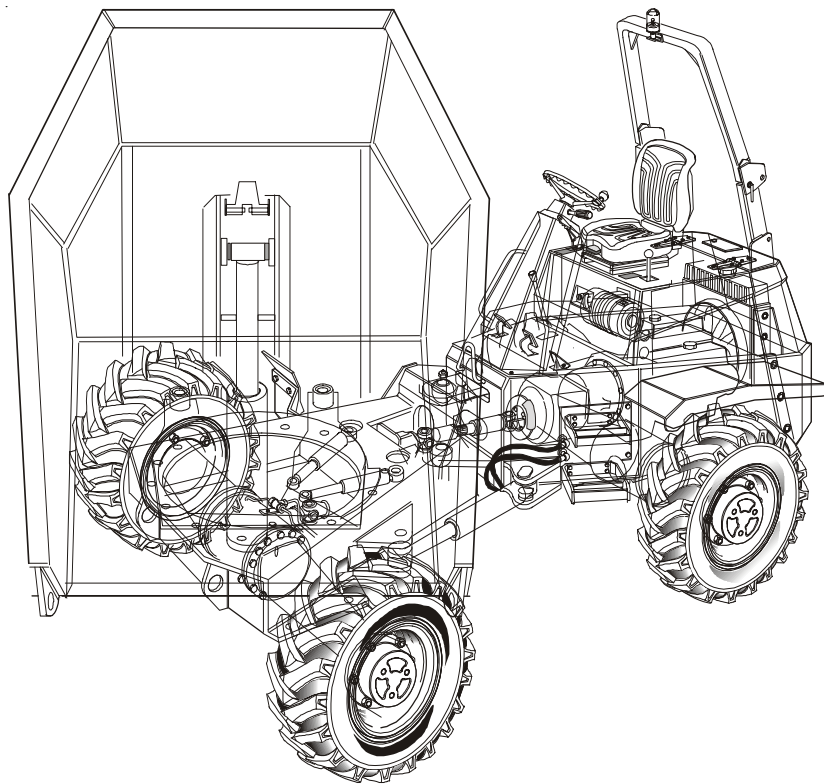


**Thwaites****244 - 4.5 TONNE POWERSWIVEL****allparts****Thwaites**  
**allparts**

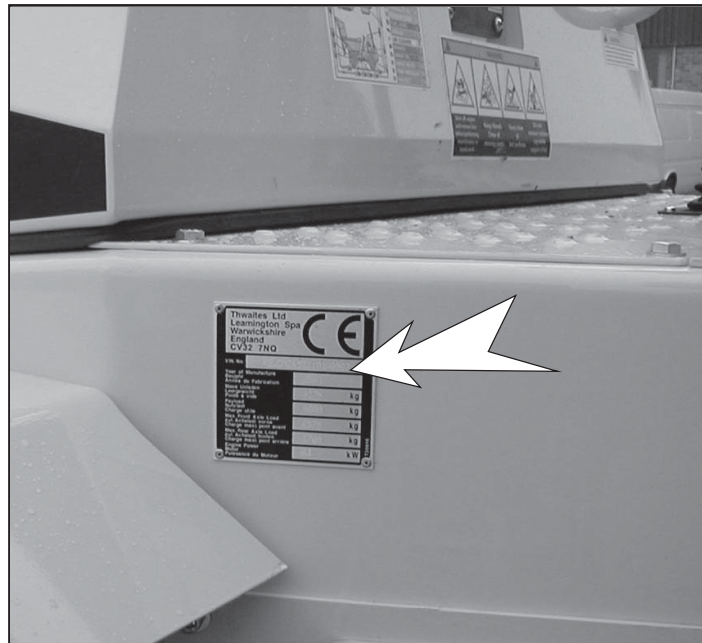
Thwaites Ltd  
Leamington Spa  
Warwickshire  
CV32 7NQ  
Tel +44 (0)1926 422471  
Fax +44 (0)1926 450458  
[www.thwaitesdumpers.co.uk](http://www.thwaitesdumpers.co.uk)

**FROM VIN No.** A0403**DATED** 23rd OCTOBER 2001**VIN No.** A \_ \_ \_ \_**ENGINE BUILD No.** 4TNE84T-EWA**PAYLOAD** 4.5 TONNE**SKIP** POWERSWIVEL**TRANSMISSION** HYDROSTATIC**TYPE** MACH 244**PREFIX No.** 06



**VEHICLE IDENTIFICATION NUMBER - (VIN)**

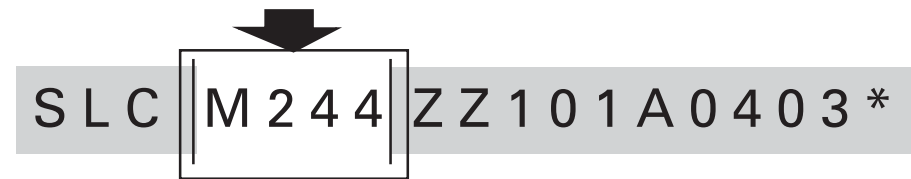
Thwaites have now adopted the international identification system known as VEHICLE IDENTIFICATION NUMBER normally referred to as VIN.



The VIN number incorporates a number of security features and also the machine model and individual serial number.

**Important note:** *Do not use this parts manual to order replacement spares if the prefix level of your machine is higher than the number quoted at the front of this parts manual.*

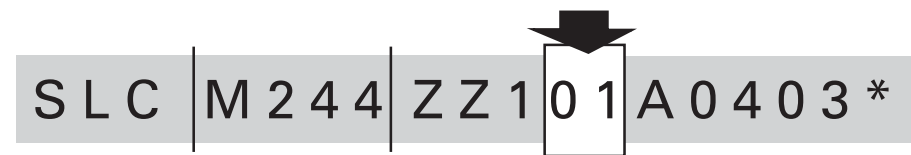
When ordering replacement spares it is important that the model or MACH number is used to identify the correct parts manual.



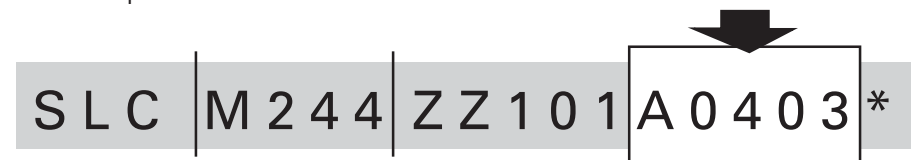
The year of manufacture:



The Machine Parts Manual issue level denoted by the two digit Prefix Number:

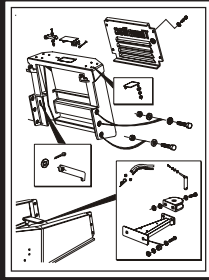


The unique machine serial number:



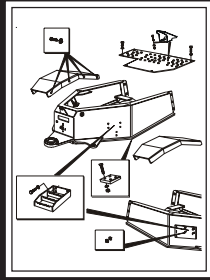
Please ensure that these numbers are quoted in all correspondence with your Thwaites distributor.

## REAR COVER ASSEMBLY



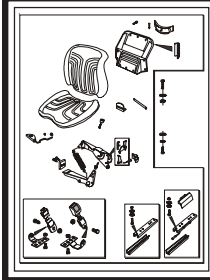
PAGE 1

## REAR CHASSIS ASSEMBLY



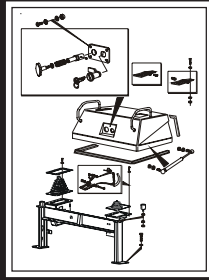
PAGE 2

## SEAT ASSEMBLY



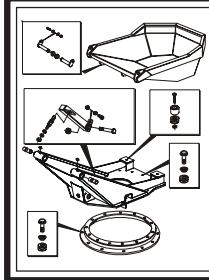
PAGE 3

## ENGINE COVER ASSEMBLY



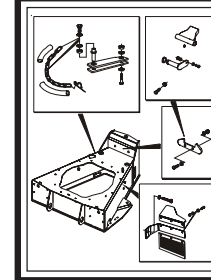
PAGE 4

## SKIP & SUB CHASSIS



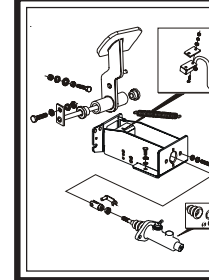
PAGE 5

## FRONT CHASSIS ASSEMBLY



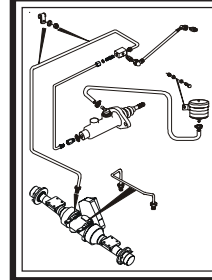
PAGE 6

## BRAKE PEDAL ASSEMBLY



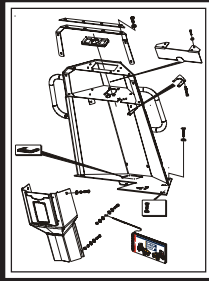
PAGE 7

## BRAKE CIRCUIT HYDROSTATIC



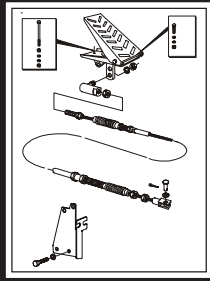
PAGE 8

## LEG GUARD ASSEMBLY



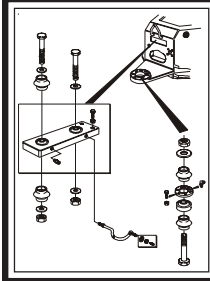
PAGE 9

## THROTTLE ASSEMBLY



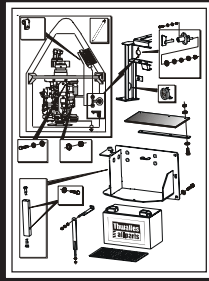
PAGE 10

## KINGLINK ASSEMBLY



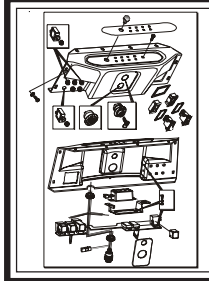
PAGE 11

## BATTERY BOX ASSEMBLY



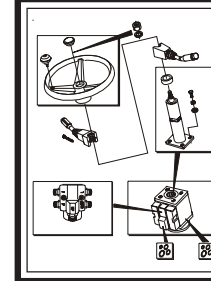
PAGE 12

## DASH PANEL ASSEMBLY



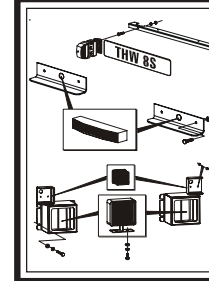
PAGE 13

## STEERING ASSEMBLY



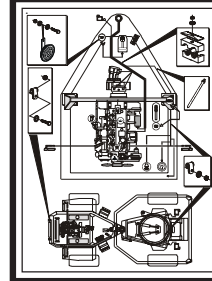
PAGE 14

## FRONT & REAR LIGHT ASSY.



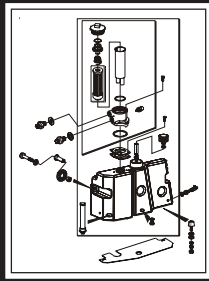
PAGE 15

## ENGINE & LIGHT HARNESS



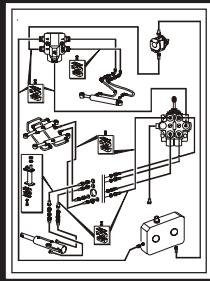
PAGE 16

## HYD. TANK ASSEMBLY



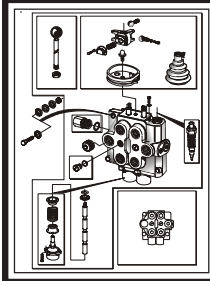
PAGE 17 & 18

## HYD. CIRCUIT CONTROLS



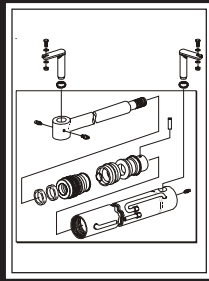
PAGE 19

## TIPPING VALVE ASSEMBLY



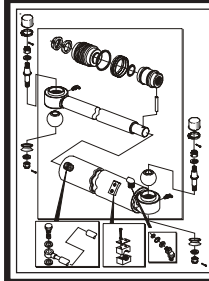
PAGE 20

## TIPPING RAM ASSEMBLY



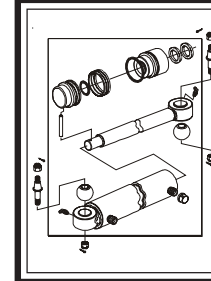
PAGE 21

## STEERING RAM ASSEMBLY



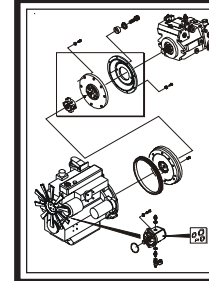
PAGE 22

## SLEW RAM ASSEMBLY



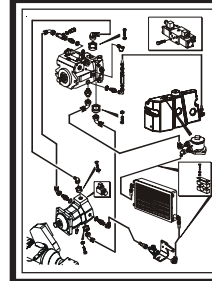
PAGE 23

## TRANS. DRIVE & HYD. PUMP



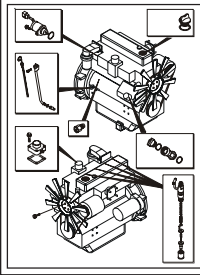
PAGE 24

## HYDROSTATIC PUMP & MOTOR



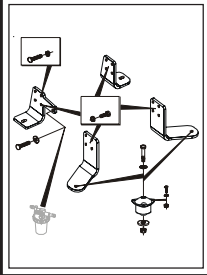
PAGE 25 & 26

**ENGINE ACCESSORIES**



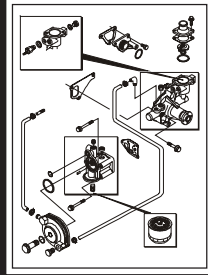
PAGE 27

**ENGINE MOUNTINGS**



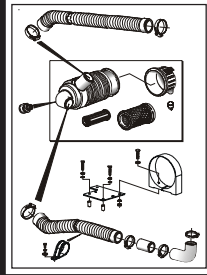
PAGE 28

**ENGINE OIL COOLER**



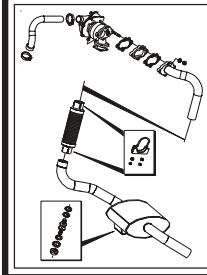
PAGE 29 & 30

**AIR CLEANER ASSEMBLY**



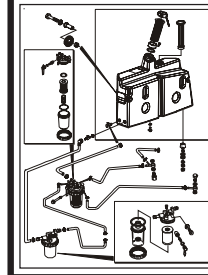
PAGE 31

**EXHAUST & TURBO**



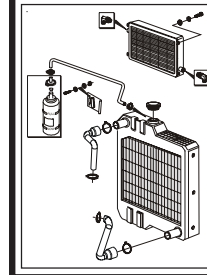
PAGE 32

**FUEL TANK ASSEMBLY**



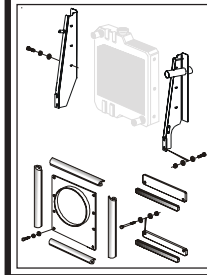
PAGE 33 & 34

**RADIATOR & OIL COOLER**



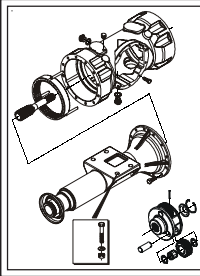
PAGE 35

**RAD. SEALS & FIXINGS**



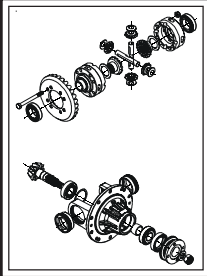
PAGE 36

**FRONT AXLE - MAIN CASE**



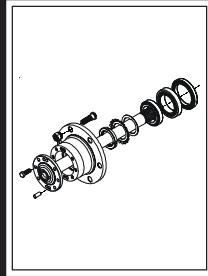
PAGE 37

**FRONT AXLE - DIFF ASSEMBLY**



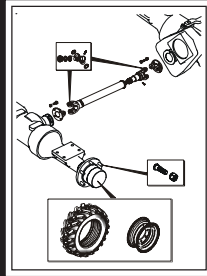
PAGE 38

**FRONT AXLE - HUB & ARM**



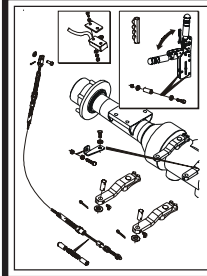
PAGE 39

**PROPSHAFT & WHEEL ASSY.**



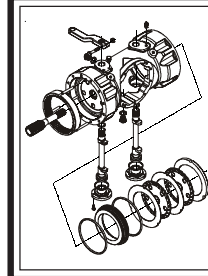
PAGE 40

**HANDBRAKE ASSEMBLY**



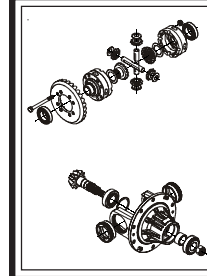
PAGE 41

**REAR AXLE - MAIN CASE**



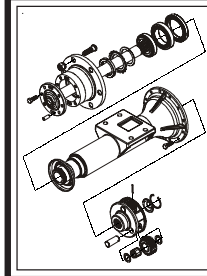
PAGE 42

**REAR AXLE - DIFF. ASSEMBLY**



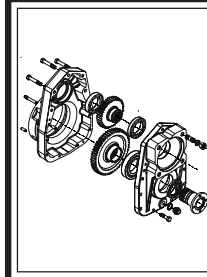
PAGE 43

**REAR AXLE - HUB & ARM**



PAGE 44

**REAR AXLE - TRANSFER BOX**



PAGE 45

**OPTIONAL EXTRAS**



PAGE 46

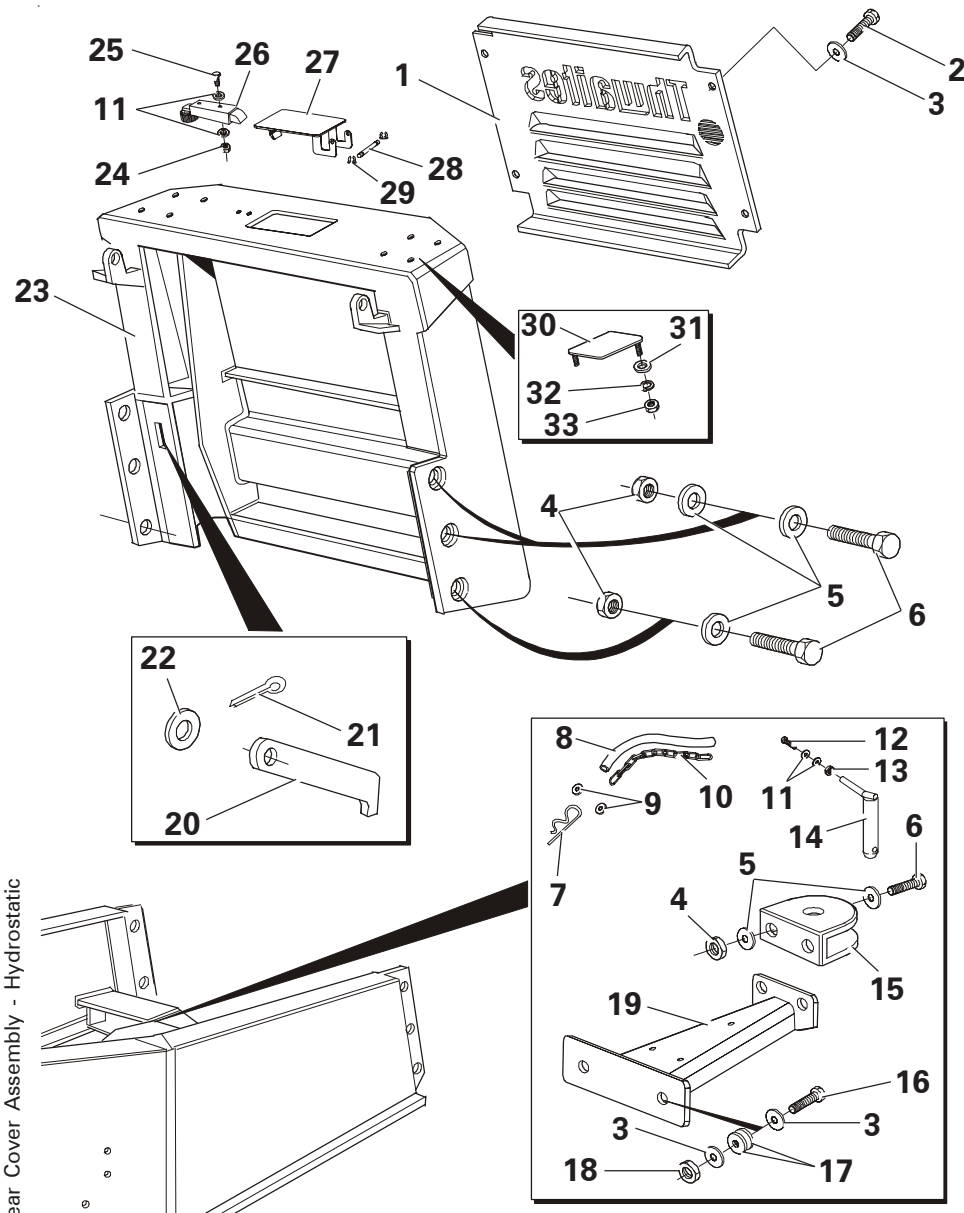
**MODIFICATIONS & ADDITIONS**



PAGE 47, 48, 49 & 50

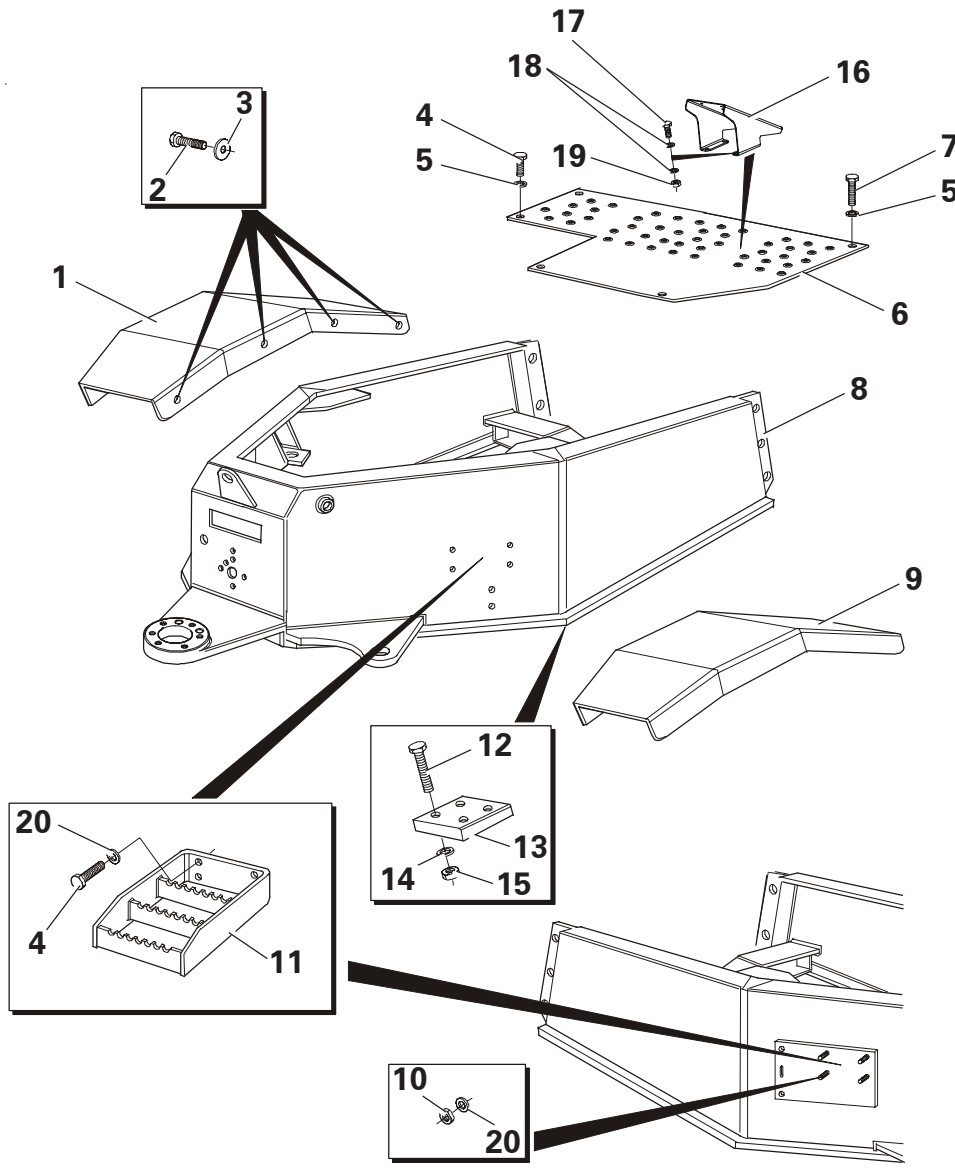
**REAR COVER ASSEMBLY**

Item	Part No.	Description	Qty	U/M
1	T100519	REAR GRILL	1.0	EA
2	T14077	BOLT	4.0	EA
3	T14748	PLAIN WASHER	8.0	EA
4	T14910	STOVER NUT	8.0	EA
5	T100867	PLAIN WASHER	14.0	EA
6	T11315	BOLT	8.0	EA
7	T6075	LYNCH PIN	1.0	EA
8	T17508	CHAIN SLEEVE	1.0	EA
9	T15830	FLAT WASHER	2.0	EA
10	T14285	RETAINING CHAIN	1.0	EA
11	T13911	FLAT WASHER	6.0	EA
12	T16477	BOLT	1.0	EA
13	T10431	NUT	1.0	EA
14	T100156	TOWING PIN	1.0	EA
15	T100155	TOWING JAW	1.0	EA
16	T14078	BOLT	2.0	EA
17	T6769	THICK WASHER	4.0	EA
18	T14283	PHILIDAS NUT	2.0	EA
19	T100563	TOWING BRACKET ASSY	1.0	EA
20	T100466	STRAP RETAINER	1.0	EA
21	T6751	SPLIT PIN	1.0	EA
22	T6768	WASHER	1.0	EA
23	T100515	REAR COVER	1.0	EA
24	T13910	PHILIDAS LOCKNUT	2.0	EA
25	T18162	BUTTON HD.SOCKET SCREW	2.0	EA
26	T100631	SLAMBOLT	1.0	EA
27	T100306	RADIATOR COVER	1.0	EA
28	T100327	HINGE PIN	1.0	EA
29	T100329	RETAINING CLIP	2.0	EA
30	T100778	ROPS MOUNTING COVER PLATE	2.0	EA
31	T15819	PLAIN WASHER	4.0	EA
32	T13362	SPRING WASHER	4.0	EA
33	T12509	NUT	4.0	EA



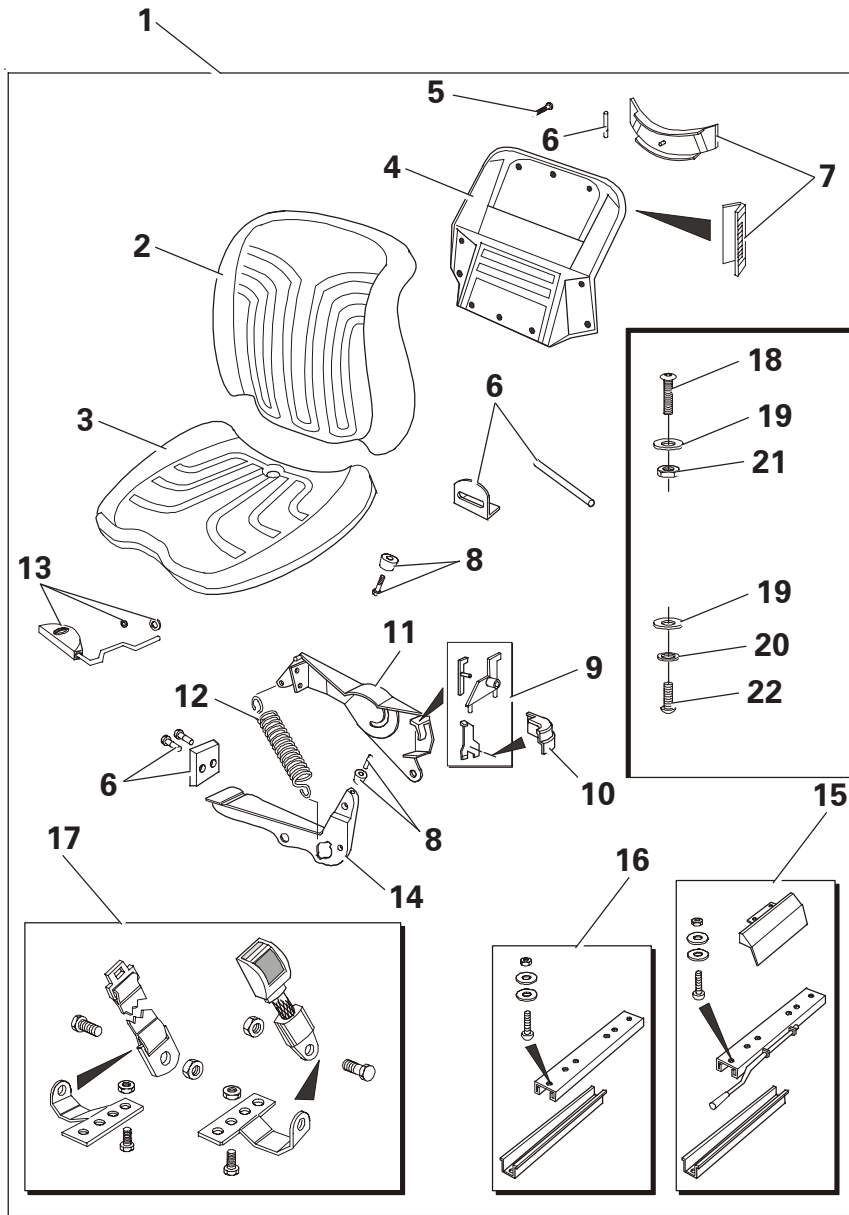
**REAR CHASSIS ASSEMBLY**

Item	Part No.	Description	Qty	U/M
1	T100350	MUDGUARD RH (REAR)	1.0	EA
2	T14077	BOLT	8.0	EA
3	T14748	PLAIN WASHER	8.0	EA
4	T20618	SET SCREW	7.0	EA
5	T10734	HEAVY DUTY WASHER	5.0	EA
6	T100491	FLOORPLATE	1.0	EA
7	T16505	SET BOLT	2.0	EA
8	T100342	REAR CHASSIS	1.0	EA
9	T100531	MUDGUARD LH (REAR)	1.0	EA
10	T13064	LOCKING NUT	4.0	EA
11	T100147	STEP	2.0	EA
12	T14908	BOLT	8.0	EA
13	T100894	AXLE PACKER	2.0	EA
14	T100867	PLAIN WASHER	8.0	EA
15	T14910	STOVER NUT	8.0	EA
16	T100954	FOOT REST	1.0	EA
17	T7465	SET SCREW	4.0	EA
18	T12973	PLAIN WASHER	8.0	EA
19	T19007	PHILIDAS NUT	4.0	EA
20	T15819	PLAIN WASHER	8.0	EA



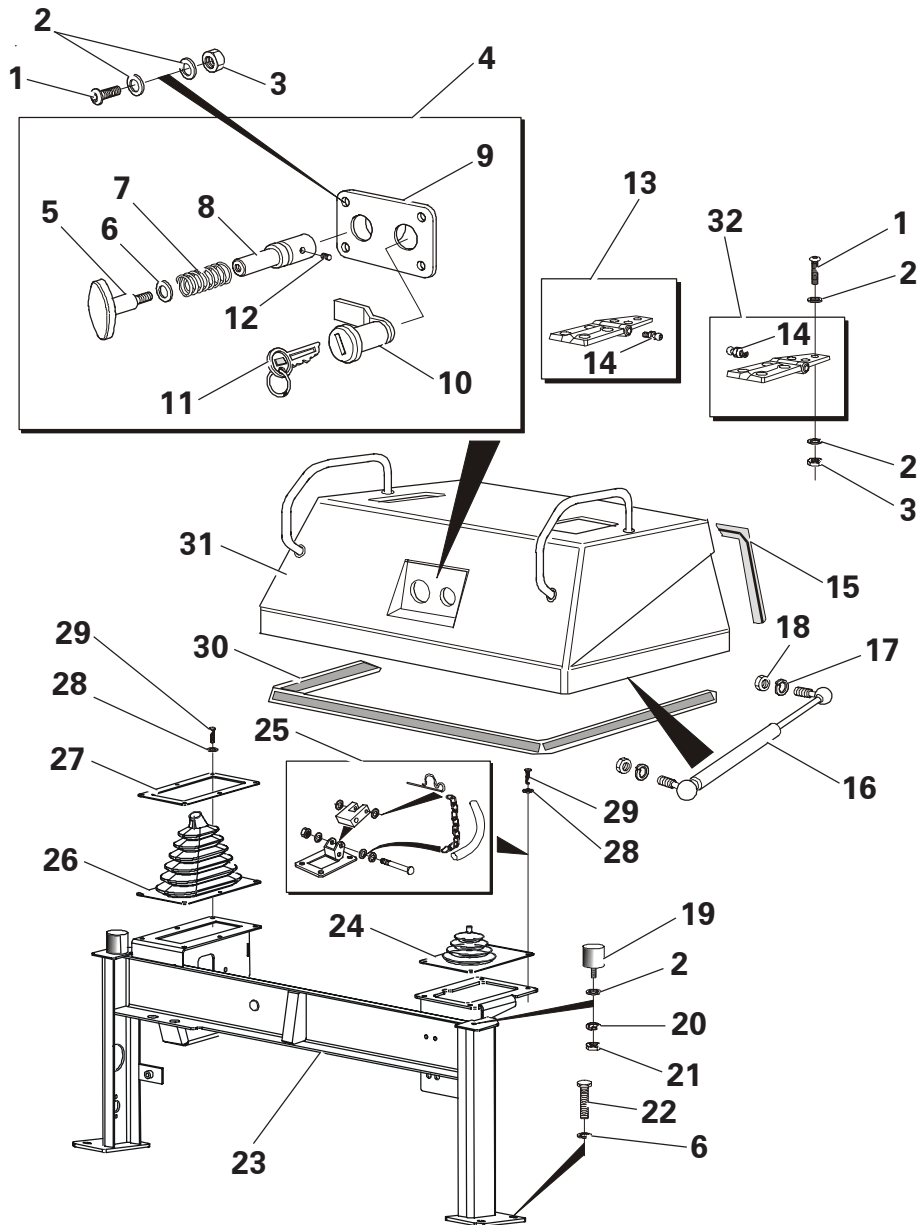
Rear Chassis Assembly - Hydrostatic

## SEAT ASSEMBLY



Item	Part No.	Description	Qty	U/M
1	T19367	SEAT ASSEMBLY	1.0	EA
2	T51918	UPHOLSTERED BACK REST	1.0	EA
3	T51916	UPHOLSTERED SEAT PAN	1.0	EA
4	T51919	PLATE	1.0	EA
5	T51920	SCREW SET	3.0	EA
6	T51928	FRAME KIT	1.0	EA
7	T51936	BLANKING COVERS	1.0	EA
8	T51927	SCREW & WASHER SET	1.0	EA
9	T51934	ADJUSTMENT BRACKETS	1.0	EA
10	T51935	HANDLE	1.0	EA
11	T51933	LEVER	1.0	EA
12	T51932	SPRING	1.0	EA
13	T51921	LEVER	1.0	EA
14	T51931	LEVER	1.0	EA
15	T51929	SLIDE RAIL KIT	1.0	EA
16	T51930	SLIDE RAIL	1.0	EA
17	T51922	KIT	1.0	EA
18	T12971	BUTTON HEAD SOCKET SCREW	2.0	EA
19	T12973	PLAIN WASHER	4.0	EA
20	T12972	SPRING WASHER	2.0	EA
21	T13457	NYLOC NUT	2.0	EA
22	T12832	DOME HEAD SOCKET SCREW	2.0	EA

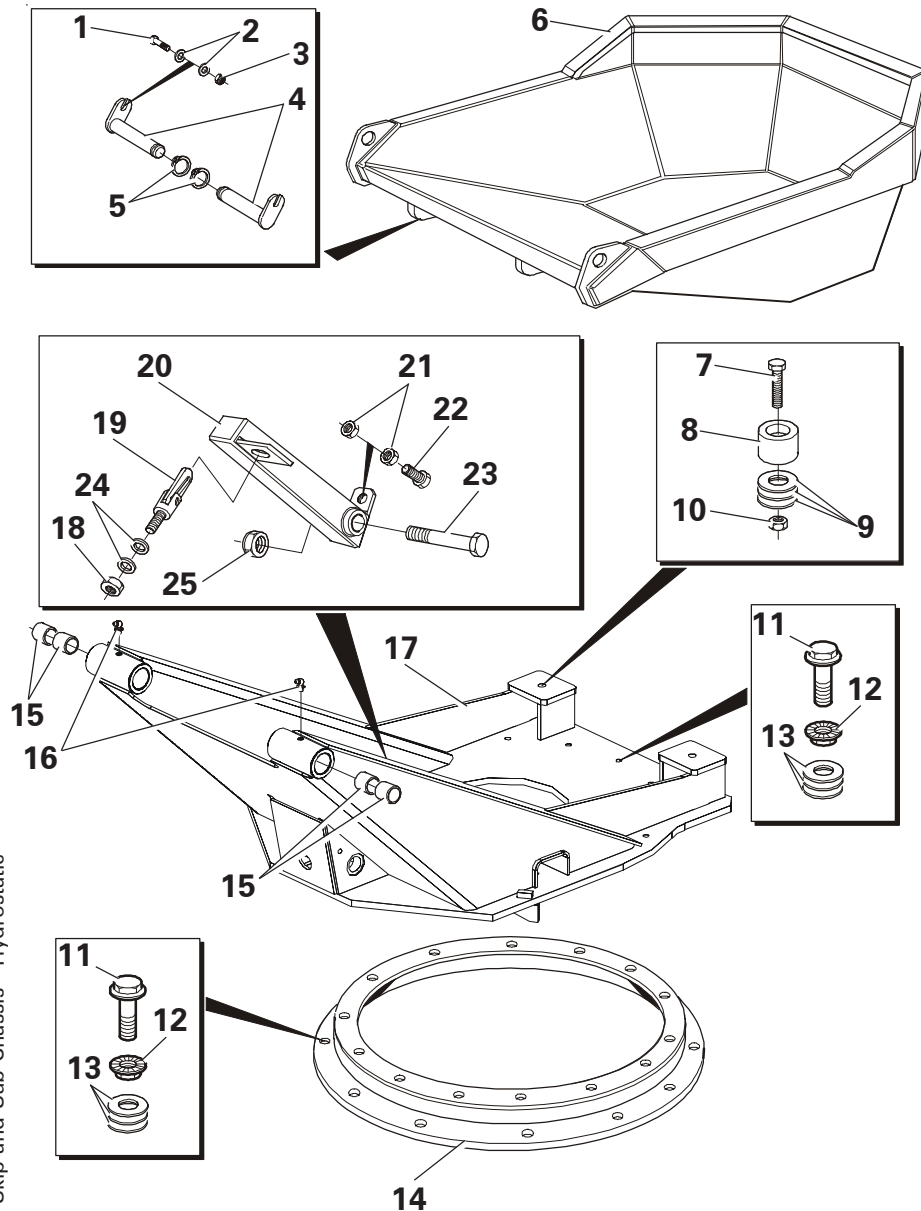
ENGINE COVER ASSEMBLY



Item	Part No.	Description	Qty	U/M
1	T12971	BUTTON HEAD SCREW	18.0	EA
2	T12973	PLAIN WASHER	38.0	EA
3	T13457	NYLOC NUT	16.0	EA
4	T100211	LOCK ASSY	1.0	EA
5	T100216	RENCOL HANDLE	1.0	EA
6	T10734	H/DUTY WASHER	5.0	EA
7	T100287	SPRING	1.0	EA
8	T100266	LOCK PLUNGER	1.0	EA
9	T100286	WELDED LOCK ASSY	1.0	EA
10	T100265	COMPARTMENT LOCK	1.0	EA
11	T50479	SWITCH KEY	1.0	EA
12	T100477	GRUB SCREW	1.0	EA
13*	T101780	HINGE RH (WITH GREASE NIPPLE)	1.0	EA
14	T16586	GREASE NIPPLE - STRAIGHT	2.0	EA
15	T100533	SEAL	1.0	EA
16	T100610	GAS STRUT	2.0	EA
17	T12972	SPRING WASHER	2.0	EA
18	T9775	NUT	2.0	EA
19	T100243	RUBBER BUFFER	2.0	EA
20	T12972	SPRING WASHER	2.0	EA
21	T9775	NUT	2.0	EA
22	T16500	BOLT	4.0	EA
23*	T100955	CONTROL MGT BRACE ASSY	1.0	EA
24	T100289	TIPPING LEVER GAITER	1.0	EA
25	KIT 239	TIPPING VALVE LOCK ASSY	1.0	EA
26*	T100911	HANDBRAKE LEVER GAITER	1.0	EA
27	T100570	GAITER RETAINING PLATE	1.0	EA
28	T13911	FLAT WASHER	10.0	EA
29	T16492	DOME HEAD SCREW	10.0	EA
30	T100532	SEAL	1.0	EA
31	T100360	ENGINE COVER ASSY	1.0	EA
32*	T101779	HINGE LH (WITH GREASE NIPPLE)	1.0	EA

Engine Cover Assembly - Hydrostatic -mk2

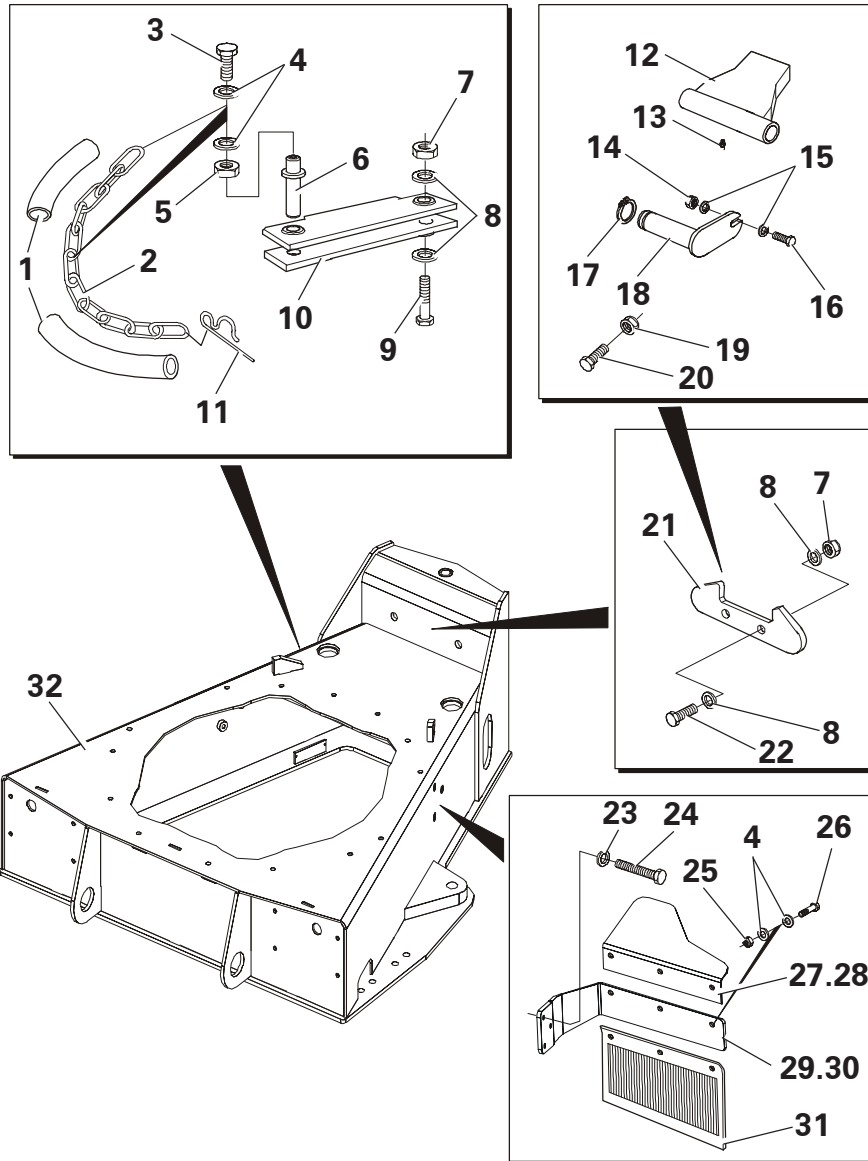
## SKIP & SUB CHASSIS



Item	Part No.	Description	Qty	U/M
1	T16505	SET BOLT	2.0	EA
2	T15819	PLAIN WASHER	4.0	EA
3	T13064	NUT	2.0	EA
4	T100087	SKIP PIVOT PIN	2.0	EA
5	T100099	CIRCLIP	2.0	EA
6	T100943	SKIP	1.0	EA
7	T100594	SET BOLT	2.0	EA
8*	T100302	SKIP STOP	2.0	EA
9	T100578	SKIP PAD SPACER 3mm	A/R	EA
	T100303	SKIP PAD SPACER 5mm	A/R	EA
	T100386	SKIP PAD SPACER 10mm	A/R	EA
10	T14910	NUT	2.0	EA
11	T9926	BOLT DURLOCK	27.0	EA
12	T9928	DURLOCK NUT	27.0	EA
13	T7245/1	.003 SHIM	A/R	EA
	T7245/2	.005 SHIM	A/R	EA
	T7245/3	.010 SHIM	A/R	EA
	T7245/4	.020 SHIM	A/R	EA
	T7245/5	.030 SHIM	A/R	EA
14	T100348	SLEW RING	1.0	EA
15	T100029	BUSH	4.0	EA
16	T16587	GREASE NIPPLE	2.0	EA
17	T100485	SUB-CHASSIS	1.0	EA
18	T14283	PHILIDAS NUT	1.0	EA
19	T100384	ANTI-LUCE FITTING	1.0	EA
20	T100235	SKIP PROP	1.0	EA
21	T12509	NUT	2.0	EA
22	T16500	BOLT	1.0	EA
23	T20329	BOLT	1.0	EA
24	T14748	PLAIN WASHER	2.0	EA
25	T13739	NUT	1.0	EA

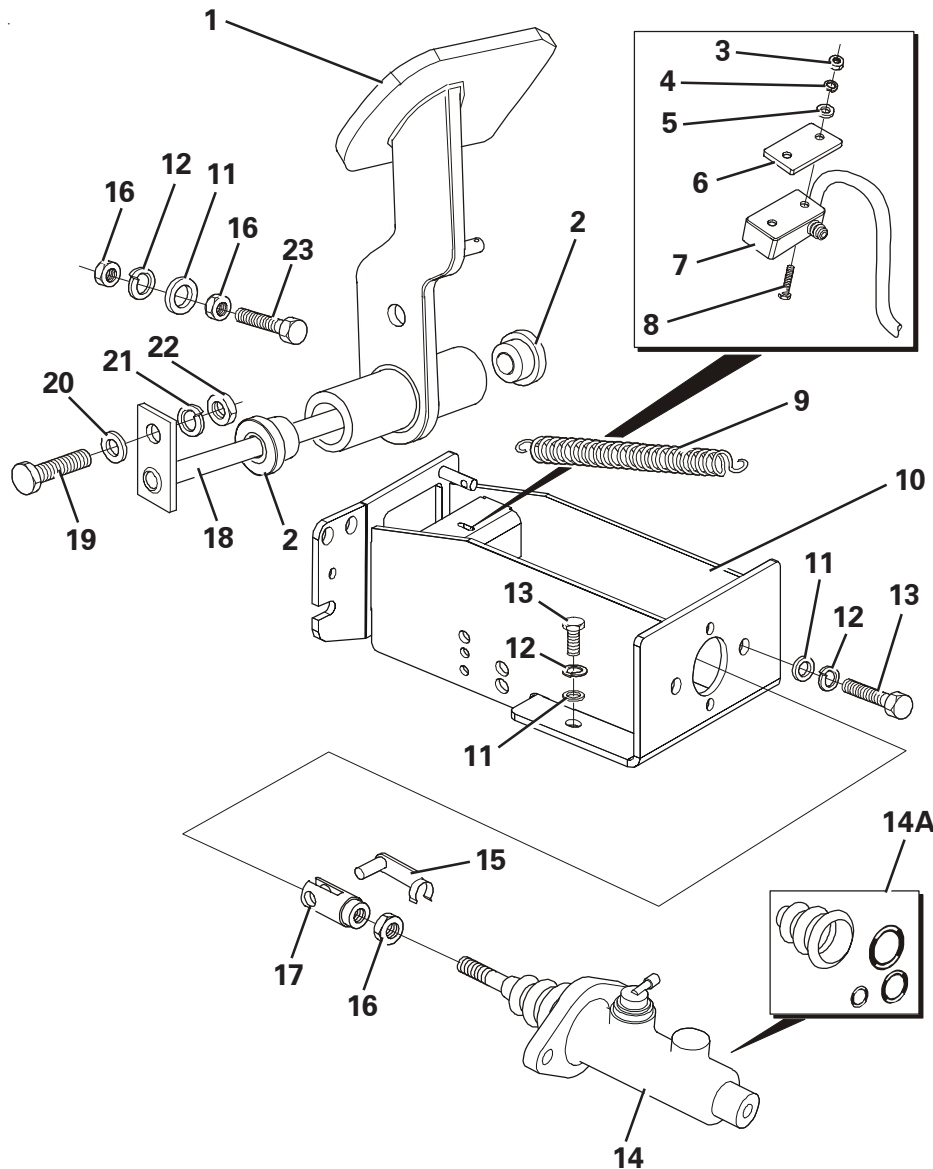
Skip and Sub Chassis - Hydrostatic

## FRONT CHASSIS ASSEMBLY



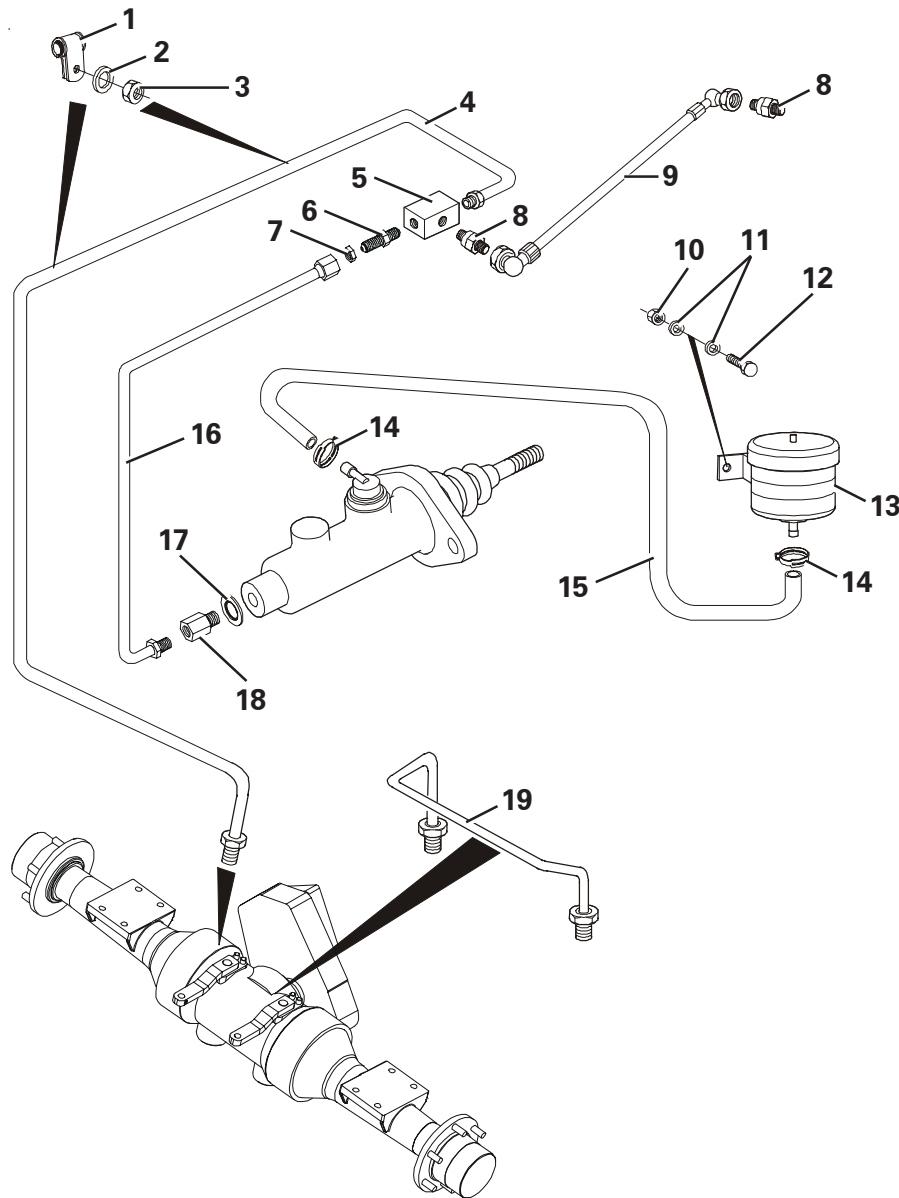
Item	Part No.	Description	Qty	U/M
1	T19465	CHAIN SLEEVE	2.0	EA
2	T18186	PIN RETAINING CHAIN	1.0	EA
3	T16476	SET BOLT	2.0	EA
4	T15830	FLAT WASHER	4.0	EA
5	T10431	NUT	2.0	EA
6	T100103	CHASSIS LOCK PIN ASSY	1.0	EA
7	T13739	NUT	3.0	EA
8	T17306	PLAIN WASHER	6.0	EA
9	T100310	BOLT	1.0	EA
10	T100102	CHASSIS LOCK BAR ASSY	1.0	EA
11	T10012	LINCH PIN	1.0	EA
12	T100521	LATCH ASSY	1.0	EA
13	T16586	GREASE NIPPLE	1.0	EA
14	T13064	NUT	1.0	EA
15	T15819	PLAIN WASHER	2.0	EA
16	T16505	SET BOLT	1.0	EA
17	T100098	CIRCLIP	1.0	EA
18	T100089	TIPPING RAM PIN TOP	1.0	EA
19	T100866	PLAIN NUT	1.0	EA
20	T100865	SET SCREW	1.0	EA
21	T100522	LATCH PLATE	1.0	EA
22	T100459	BOLT	2.0	EA
23	T14748	PLAIN WASHER	6.0	EA
24	T14078	BOLT	6.0	EA
25	T13910	PHILIDAS LOCKNUT	6.0	EA
26	T100700	DOME HEAD SET SCREW	6.0	EA
27	T100525	MUDGUARD O/S FRONT	1.0	EA
28	T100526	MUDGUARD N/S FRONT	1.0	EA
29	T100523	MUDGUARD BRACKET N/S	1.0	EA
30	T100524	MUDGUARD BRACKET O/S	1.0	EA
31	T100027	MUDFLAP RUBBER	2.0	EA
32	T100341	FRONT CHASSIS	1.0	EA

## BRAKE PEDAL ASSEMBLY



Item	Part No.	Description	Qty	U/M
1	T100636	BRAKE/INCHING PEDAL	1.0	EA
2	T100110	BUSH	2.0	EA
3	T11447	NUT	2.0	EA
4	T11439	SPRING WASHER	2.0	EA
5	T11440	WASHER	2.0	EA
6	T13289	MICRO SWITCH BACKING PLATE	1.0	EA
7	T100223	MICRO SWITCH (BRAKE LIGHT)	1.0	EA
8	T13321	SET SCREW	2.0	EA
9	T100318	BRAKE SPRING	1.0	EA
10	T100351	MASTER CYLINDER MTG BRKT	1.0	EA
11	T15819	PLAIN WASHER	5.0	EA
12	T13362	SPRING WASHER	5.0	EA
13	T20618	SET SCREW	4.0	EA
14	T100399	MASTER CYLINDER (SINGLE)	1.0	EA
14A	T52799	SEAL KIT	1.0	EA
15	T100084	SPRING CLEVIS PIN	1.0	EA
16	T12509	NUT	3.0	EA
17	T100083	FORK END	1.0	EA
18	T100096	PEDAL SHAFT	1.0	EA
19	T16477	BOLT	1.0	EA
20	T13911	FLAT WASHER	1.0	EA
21	T14837	SPRING WASHER	1.0	EA
22	T10431	NUT	1.0	EA
23	T20618	SET SCREW	1.0	EA

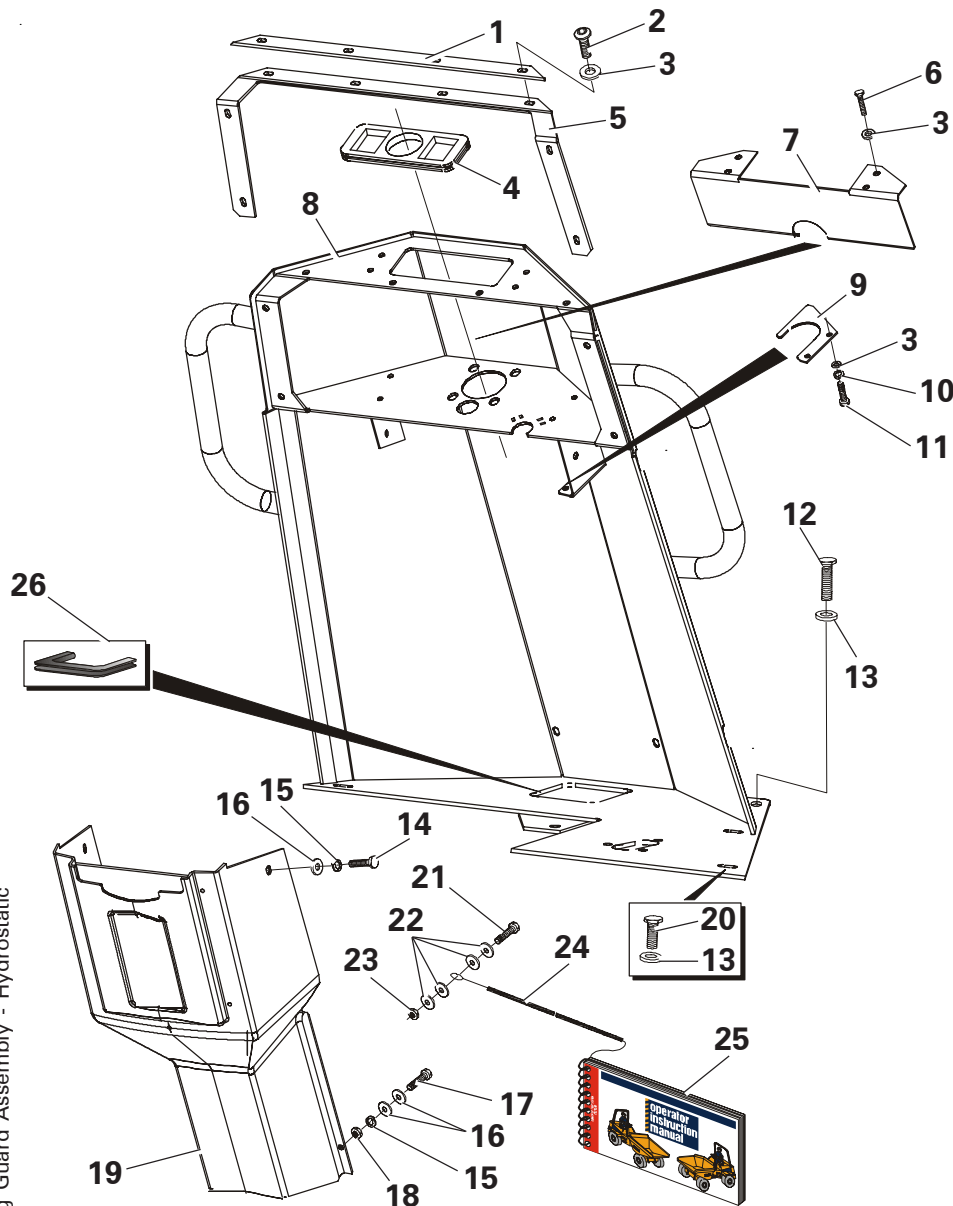
**BRAKE CIRCUIT - HYDROSTATIC**



Item	Part No.	Description	Qty	U/M
1	T11452	PIPE CLIP	2.0	EA
2	T16612	PLAIN WASHER	2.0	EA
3	T16613	NYLOC NUT	2.0	EA
4	T100703	BRAKE PIPE	1.0	EA
5	T9369	SPECIAL 3 WAY TEE	1.0	EA
6	T100697	BRAKE B/H UNION	1.0	EA
7	T8942	LOCKNUT	1.0	EA
8	T100790	ADAPTOR	2.0	EA
9	T100726	HOSE ASSY	1.0	EA
10	T16481	NYLOC NUT	2.0	EA
11	T13911	FLAT WASHER	4.0	EA
12	T10917	SET BOLT	2.0	EA
13	T100402	RESERVOIR	1.0	EA
14	T100691	HOSE CLIP	2.0	EA
15	T100747	BRAKE HOSE	1.0	EA
16	T100702	BRAKE PIPE	1.0	EA
17	T10940	HYDRAULIC WASHER	1.0	EA
18	T100701	ADAPTOR	1.0	EA
19	T100704	BRAKE PIPE	1.0	EA

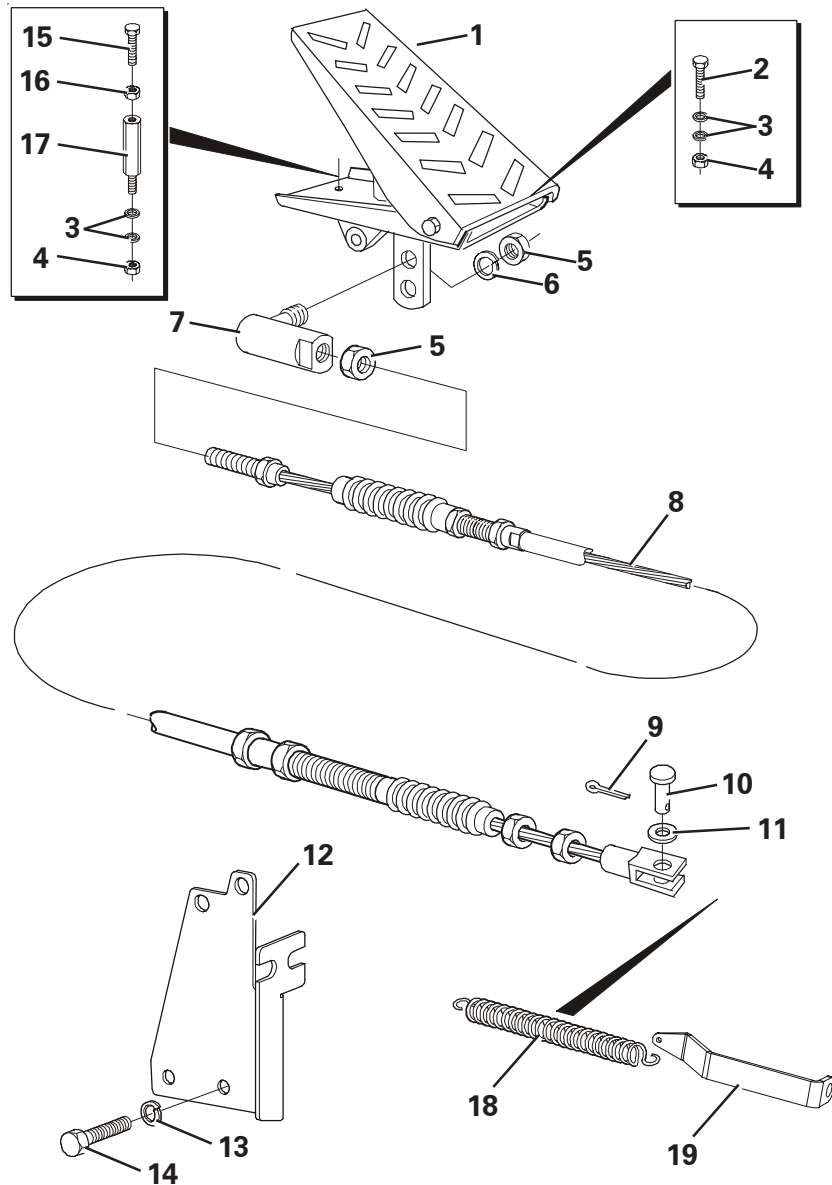
**LEG GUARD ASSEMBLY**

Item	Part No.	Description	Qty	U/M
1	T100506	CLAMPING STRIP	1.0	EA
2	T100315	SCREW	4.0	EA
3	T13911	FLAT WASHER	10.0	EA
4	T100356	STEERING GROMMET	1.0	EA
5	T100320	SEALING GASKET	1.0	EA
6	T16492	DOME HEAD SCREW	4.0	EA
7	T100540	SPLASH GUARD	1.0	EA
8	T101015	LEG GUARD	1.0	EA
9	T100667	HARNESS MTG	1.0	EA
10	T14837	SPRING WASHER	2.0	EA
11	T10917	SET BOLT PLATED	2.0	EA
12	T16505	BOLT	2.0	EA
13	T10734	H/DUTY WASHER PLATED	5.0	EA
14	T10917	SET BOLT PLATED	2.0	EA
15	T14837	SPRING WASHER	4.0	EA
16	T15830	FLAT WASHER	6.0	EA
17	T16477	HEX HEAD BOLT	2.0	EA
18	T10431	NUT	2.0	EA
19	T100159	INNER LEG GUARD	1.0	EA
20	T20618	SET SCREW	3.0	EA
21	T12694	SET SCREW	1.0	EA
22	T9345	WASHER	4.0	EA
23	T13457	NYLOC NUT	1.0	EA
24	T100699	RETAINING CABLE	1.0	EA
25	T100853	OPERATOR MANUAL	1.0	EA
26	T52795	E J TRIM	1.0	EA



Leg Guard Assembly - Hydrostatic

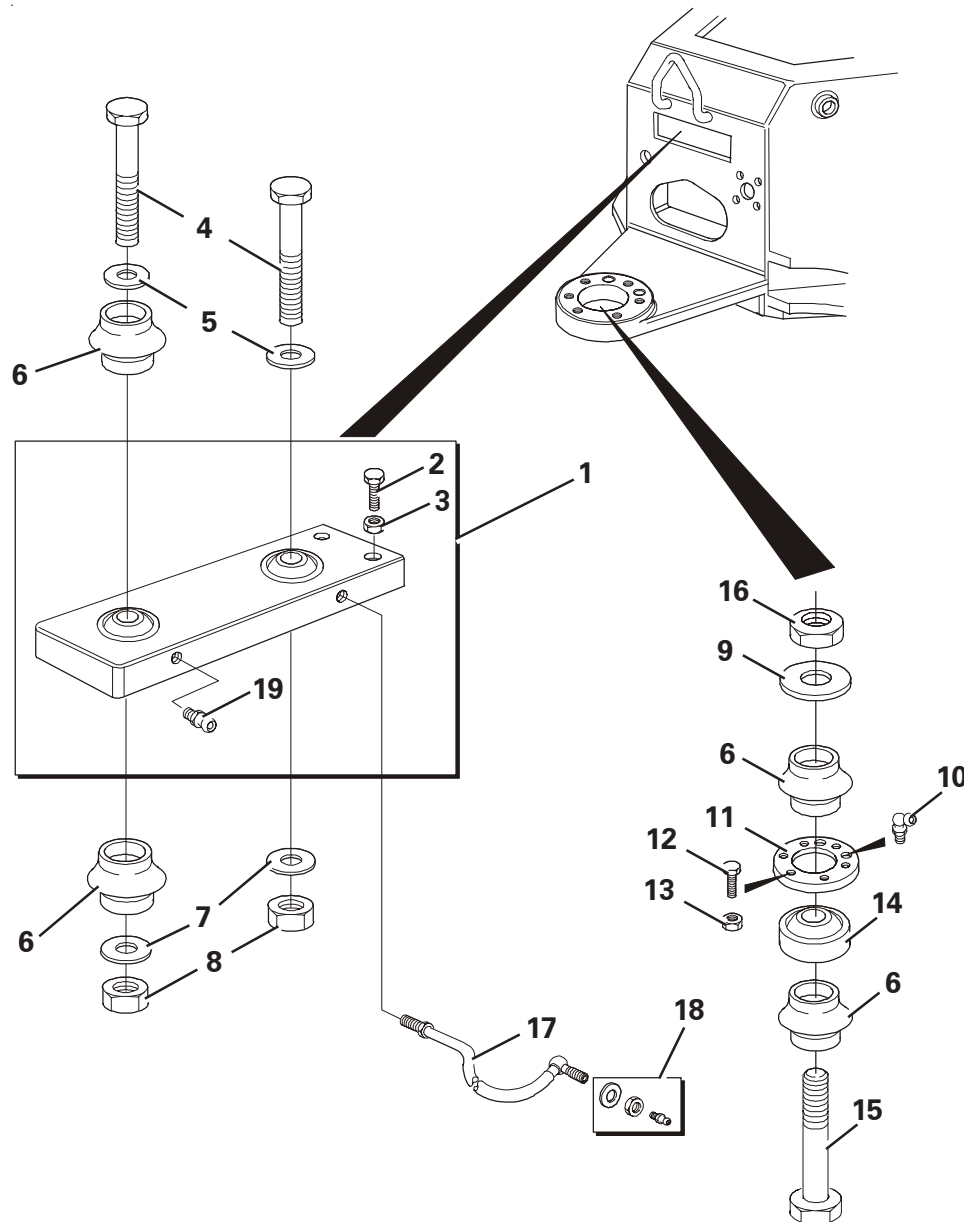
**THROTTLE ASSEMBLY**



Item	Part No.	Description	Qty	U/M
1	T18931	ACCELERATOR PEDAL	1.0	EA
2	T16477	HEX HEAD BOLT	2.0	EA
3	T13911	FLAT WASHER	6.0	EA
4	T16481	NYLOC NUT	3.0	EA
5	T10431	NUT	3.0	EA
6	T14837	SPRING WASHER	1.0	EA
7	T16192	AMEL END	1.0	EA
8	T100629	THROTTLE CABLE	1.0	EA
9	T6744	SPLIT PIN	1.0	EA
10	T6970	ANCHOR PIN	1.0	EA
11	T16612	PLAIN WASHER	1.0	EA
12	T100678	THROTTLE REACTION BRACKET	1.0	EA
13	T12972	SPRING WASHER	2.0	EA
14	T7465	SET SCREW	2.0	EA
15	T14277	BOLT	1.0	EA
16	T9775	NUT	1.0	EA
17	T101032	THROTTLE STOP	1.0	EA
18	T18452	SPRING	1.0	EA
19	T101047	THROTTLE SPRING MTG	1.0	EA

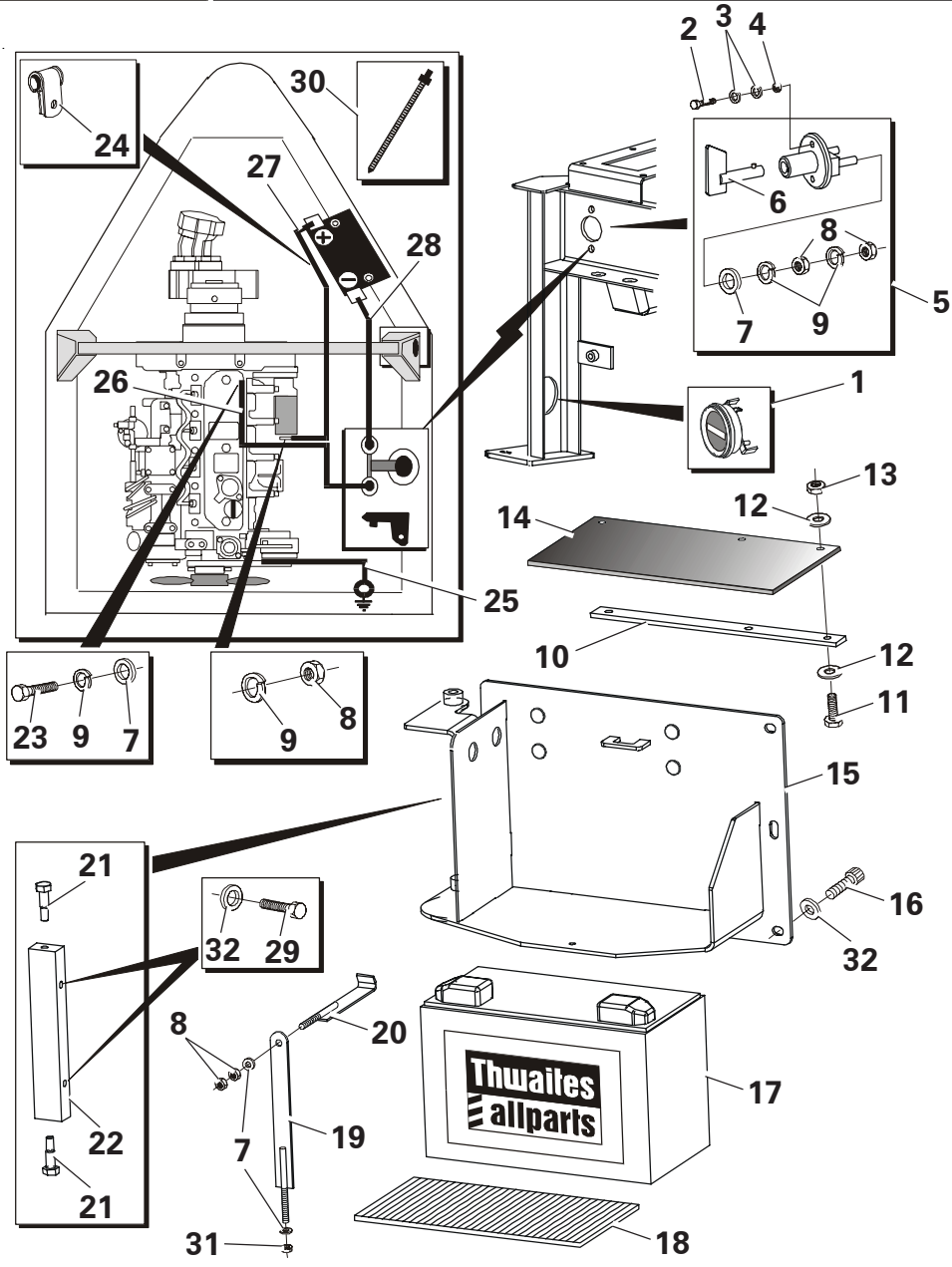
**KINGLINK ASSEMBLY**

Item	Part No.	Description	Qty	U/M
1	T52796	KINGLINK ASSEMBLY	1.0	EA
2	T16505	SET BOLT	2.0	EA
3	T12509	NUT	2.0	EA
4	T100593	TOP PIVOT BOLT	2.0	EA
5	T6768	WASHER	2.0	EA
6	T10160	RUBBER DUST SEAL	4.0	EA
7	T11811	WASHER	2.0	EA
8	T10143	NUT	2.0	EA
9	T7695	WASHER	1.0	EA
10	T16588	GREASE NIPPLE	1.0	EA
11	T100527	LOWER BEARING CAP	1.0	EA
12*	T101725	BOLT	4.0	EA
13*	T101724	NYLOC NUT	4.0	EA
14	T100268	SPHERICAL BEARING	1.0	EA
15	T100489	BOTTOM PIVOT PIN	1.0	EA
16	T10331	LOCKNUT	1.0	EA
17	T100727	GREASE PIPE	1.0	EA
18	T100390	GREASE NIPPLE ASSEMBLY	1.0	EA
19	T16586	GREASE NIPPLE	1.0	EA



Kinglink Assembly - Hydrostatic

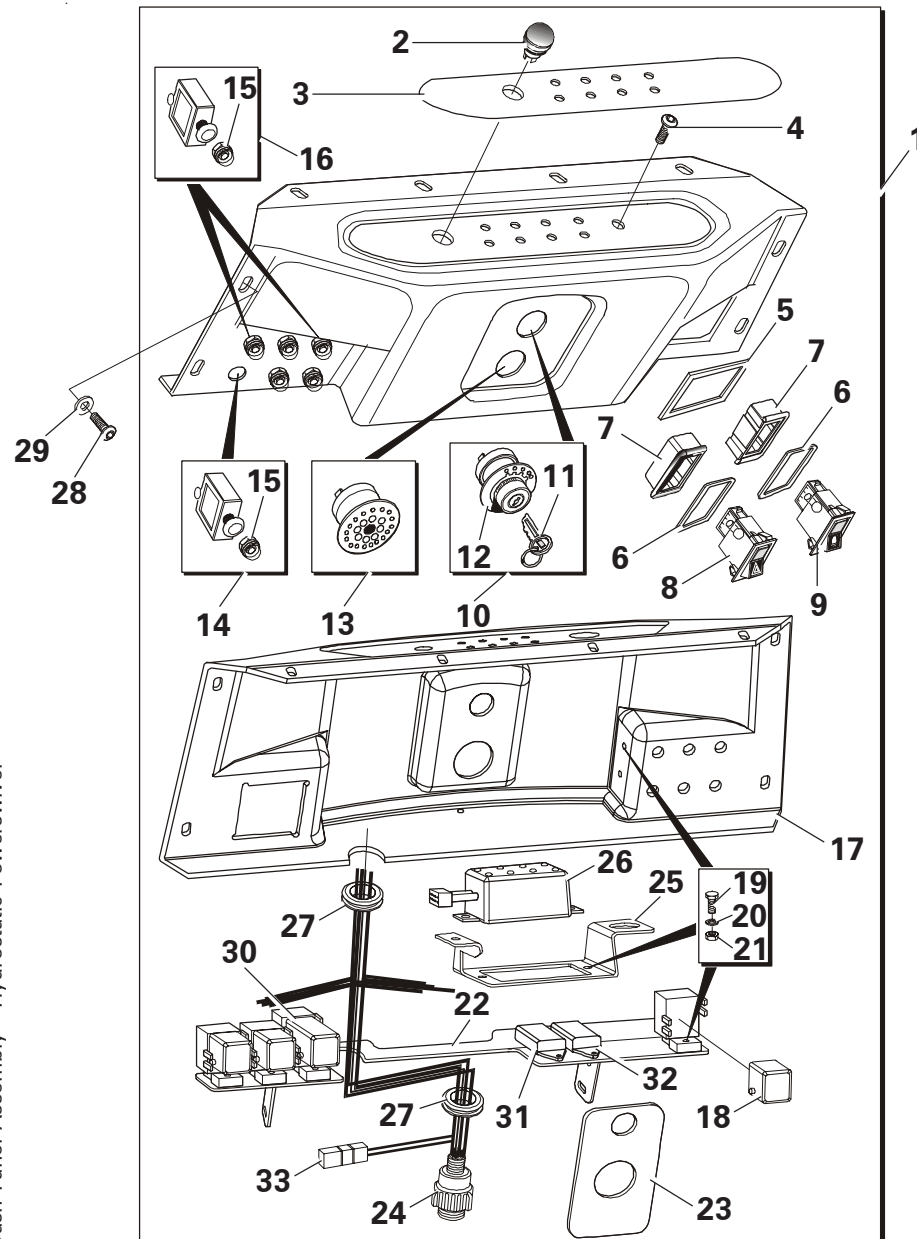
**BATTERY BOX ASSEMBLY**



Item	Part No.	Description	Qty	U/M
1	T16538	HOURMETER	1.0	EA
2	T16611	SCREW	2.0	EA
3	T16612	PLAIN WASHER	4.0	EA
4	T16613	NYLOC NUT	2.0	EA
5	T20846	BATTERY ISOLATOR SWITCH	1.0	EA
6	T52600	KEY	1.0	EA
7	T12973	PLAIN WASHER	5.0	EA
8	T9775	NUT	7.0	EA
9	T12972	SPRING WASHER	6.0	EA
10	T100394	BATTERY COVER RETAINER	1.0	EA
11	T16505	SET BOLT	3.0	EA
12	T15819	PLAIN WASHER	6.0	EA
13	T13064	NUT	3.0	EA
14	T100393	RUBBER BATTERY COVER	1.0	EA
15	T100376	BATTERY BOX	1.0	EA
16	T16770	CAP SCREW	2.0	EA
17*	T100967	BATTERY	1.0	EA
18	T16948	NON-SLIP MAT	1.0	EA
19	T100758	BATTERY STOP FRONT	1.0	EA
20*	T100432	BATTERY STRAP TOP	1.0	EA
21	T100577	PIVOT PIN	2.0	EA
22	T100592	HINGE BLOCK	1.0	EA
23	T11673	SET BOLT	1.0	EA
24	T11514	PIPE CLIP	1.0	EA
25	T100665	EARTH LEAD	1.0	EA
26	T100664	NEGATIVE CABLE	1.0	EA
27	T100632	POSITIVE BATTERY CABLE	1.0	EA
28	T100633	NEGATIVE BATTERY CABLE	1.0	EA
29	T20618	SET SCREW	2.0	EA
30	T9164	NYLON CLIPS	A/R	EA
31	T13457	NYLOC NUT	1.0	EA
32	T10734	H/DUTY WASHER	4.0	EA

Battery Box Assembly - Hydrostatic

DASH PANEL ASSEMBLY

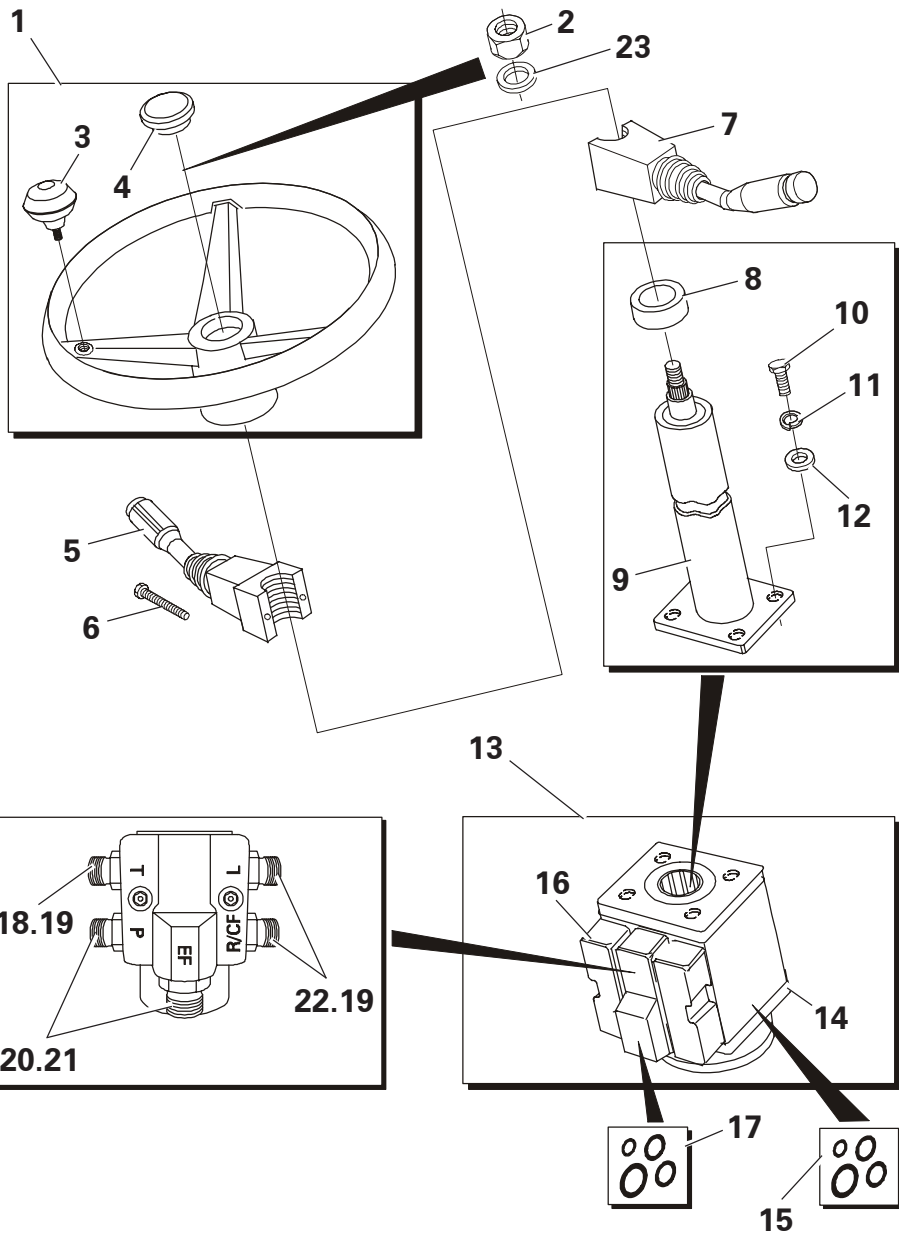


Item	Part No.	Description	Qty	U/M
1	T100497	DASH PANEL ASSY	1.0	EA
2	T52302	HORN PUSH	1.0	EA
3	T100635	CONSOLE DECAL	1.0	EA
4	T52449	C/SUNK BOLT	1.0	EA
5	T52448	MOUNTING PANEL GASKET	1.0	EA
6	T52304	SWITCH BLANK SEAL	2.0	EA
7	T52446	SWITCH MOUNTING PANEL	2.0	EA
8	T52461	HAZARD SWITCH	1.0	EA
9	T52445	BEACON SWITCH	1.0	EA
10	T52307	IGNITION SWITCH	1.0	EA
11	T50479	STARTER SWITCH KEY	1.0	EA
12	T52311	INDEX PLATE	1.0	EA
13*	T100902	WARNING BUZZER	1.0	EA
14	T52305	CIRCUIT BREAKER 12AMP	4.0	EA
15	T52306	CIRCUIT BREAKER COVER	6.0	EA
16	T52468	CIRCUIT BREAKER 18AMP	2.0	EA
17	T52408	DASH PANEL	1.0	EA
18	T52457	RELAY	3.0	EA
19	T16610	CH. HEAD SCREW	12.0	EA
20	T16612	PLAIN WASHER	12.0	EA
21	T16613	NYLOC NUT	10.0	EA
22	T100487	RELAY MOUNTING BRACKET	1.0	EA
23	T100445	IGNITION BACKING PLATE	1.0	EA
24*	T100924	PANEL HARNESS	1.0	EA
25	T100446	LED MODULE MTG BRACKET	1.0	EA
26	T100435	LED MODULE	1.0	EA
27	T9538	GROMMET	2.0	EA
28	T100315	SCREW	4.0	EA
29	T13911	FLAT WASHER	4.0	EA
30	T52462	FLASHER RELAY	1.0	EA
31	T52726	STOP SOLENOID - TIMER	1.0	EA
32	T52725	GLOW PLUG - TIMER	1.0	EA
33	T52724	DIODE	1.0	EA

Dash Panel Assembly - Hydrostatic Powerswivel

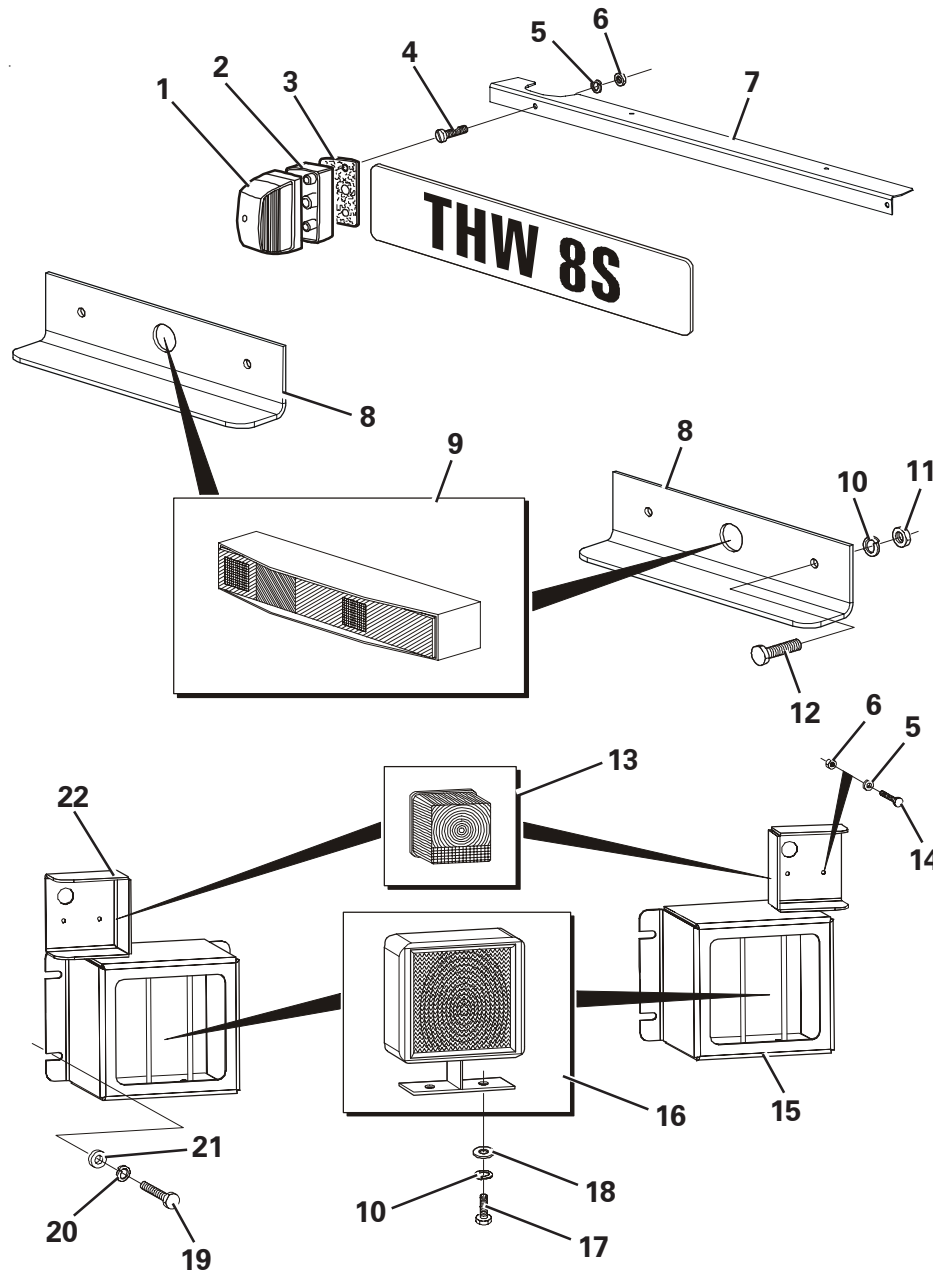
## STEERING ASSEMBLY

Item	Part No.	Description	Qty	U/M
1	T100496	STEERING WHEEL & CAP	1.0	EA
2	T100690	NYLOC NUT	1.0	EA
3	T52520	SPINNER KNOB	1.0	EA
4	T50541	CENTRE CAP	1.0	EA
5	T100628	COLUMN SWITCH	1.0	EA
6	T100742	CAP SCREW	2.0	EA
7	T100037	COLUMN SWITCH LIGHTS	1.0	EA
8	T52517	END CAP	1.0	EA
9	T100015	STEERING COLUMN	1.0	EA
10	T7466	SET SCREW	4.0	EA
11	T13362	SPRING WASHER	4.0	EA
12	T15819	PLAIN WASHER	4.0	EA
13	T18781	STEERING/PRIORITY VALVE	1.0	EA
14	T18601	STEERING VALVE	1.0	EA
15	T51661	SEAL KIT	1.0	EA
16	T18602	PRIORITY VALVE	1.0	EA
17	T51662	SEAL KIT	1.0	EA
18	T11165	ADAPTOR	1.0	EA
19	T5637	BONDED SEAL	3.0	EA
20	T13936	ADAPTOR	2.0	EA
21	T5596	HYDRAULIC SEAL	2.0	EA
22	T13606	ADAPTOR	2.0	EA
23	T6765	WASHER	1.0	EA



Steering Assembly - Hydrostatic

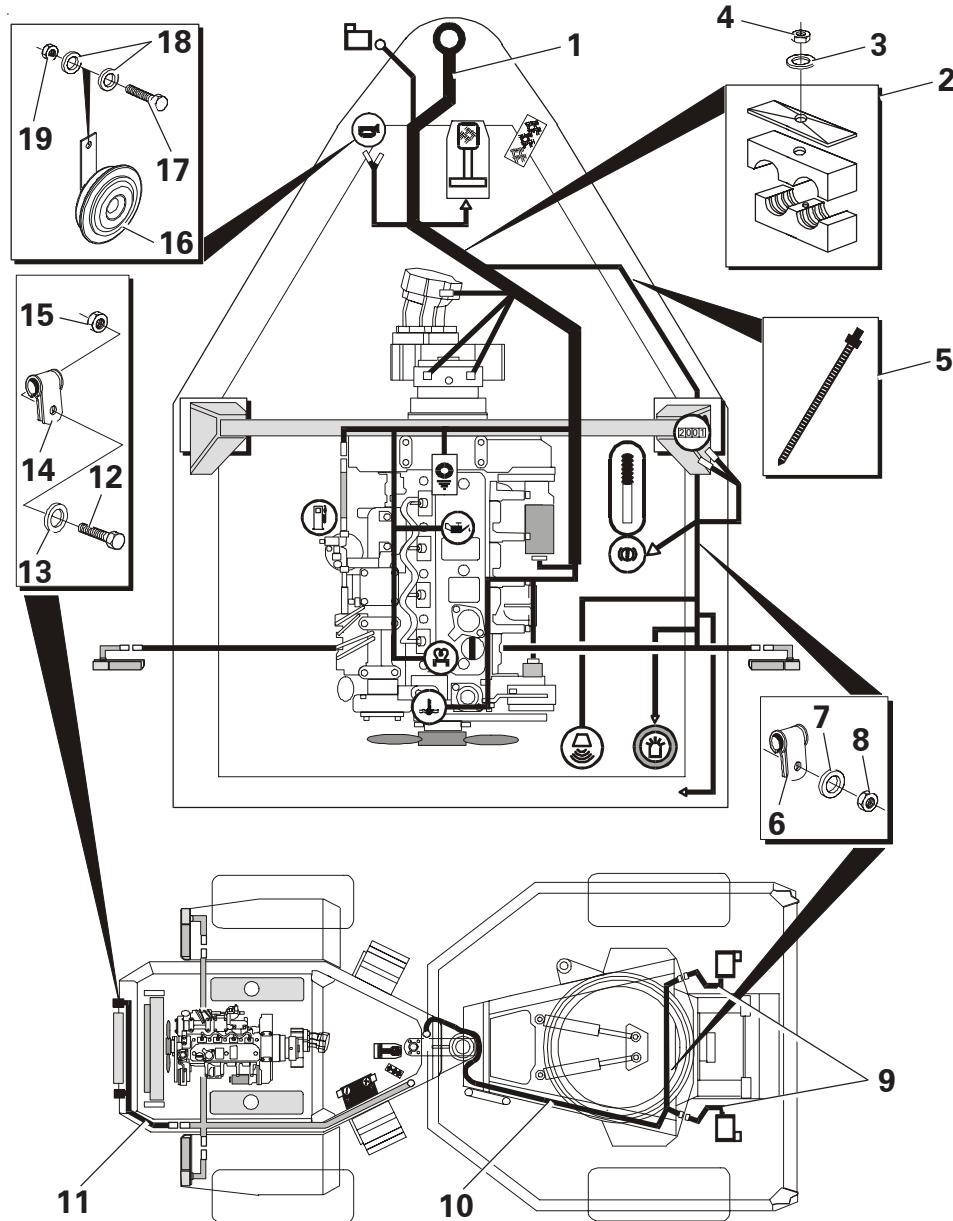
FRONT & REAR LIGHT ASSEMBLY



Item	Part No.	Description	Qty	U/M
1	T16773	NUMBER PLATE LAMP	2.0	EA
2	T16774	NUMBER PLATE LIGHT PLINTH	2.0	EA
3	T16775	NUMBER PLATE LIGHT GASKET	2.0	EA
4	T16675	CHEESE HEAD SET SCREW	4.0	EA
5	T11440	WASHER	8.0	EA
6	T16957	NYLOC NUT	8.0	EA
7	T100792	BOTTOM BAFFLE PLATE	1.0	EA
8	T100328	LIGHT BRACKET	2.0	EA
9	T100108	REAR LIGHT CLUSTER	2.0	EA
	T52943	REAR LAMP LENS	2.0	EA
10	T6738	SPRING WASHER	8.0	EA
11	T10431	NUT	4.0	EA
12	T16476	SET BOLT	4.0	EA
13	T13586	SIDE LT/FRONT INDICATOR	2.0	EA
	T13716	FRONT SIDE/IND LIGHT LENS	2.0	EA
14	T19233	CHEESE HEAD SET SCREW	4.0	EA
15*	T101752	LIGHT BRKT LH	1.0	EA
16	T100438	HEADLIGHT (CONT)	2.0	EA
	T52944	HEADLAMP UNIT (CONT)	2.0	EA
	T100425	HEADLIGHT (UK)	2.0	EA
	T52945	HEADLAMP UNIT (UK)	2.0	EA
17	T10917	SET BOLT	4.0	EA
18	T13911	FLAT WASHER	4.0	EA
19	T12694	SET SCREW	8.0	EA
20	T12972	SPRING WASHER	8.0	EA
21	T9345	WASHER	8.0	EA
22*	T101753	LIGHT BRKT RH	1.0	EA

Front & Rear Light Assembly - mk3

ENGINE & LIGHT HARNESS

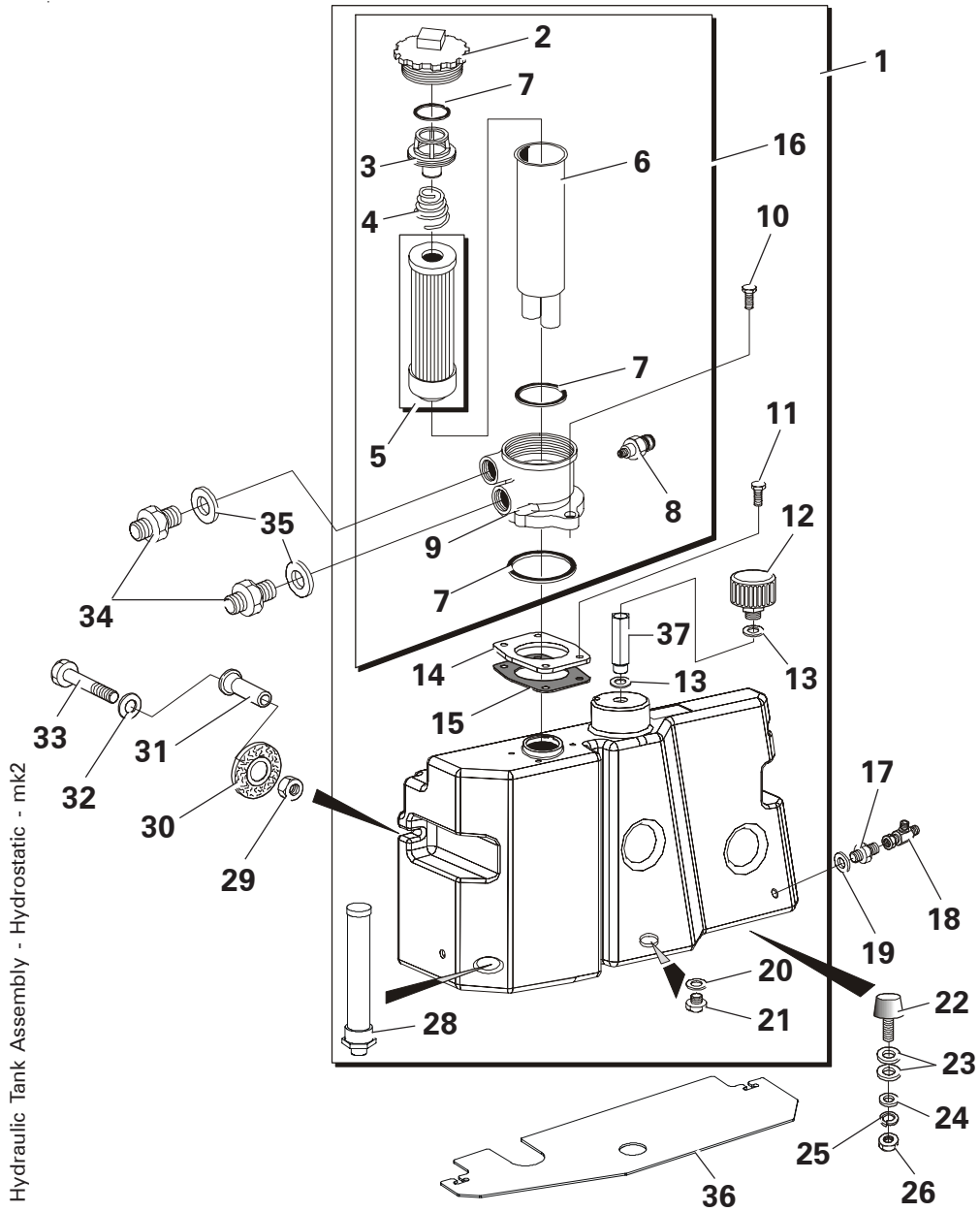


Item	Part No.	Description	Qty	U/M
1*	T100923	ENGINE HARNESS	1.0	EA
2	T100807	HOSE CLAMP	1.0	EA
3	T12973	PLAIN WASHER	1.0	EA
4	T13457	NYLOC NUT	1.0	EA
5	T9164	NYLON CLIPS	A/R	EA
6	T100989	DOUBLE PLASTIC CABLE CLIP	11.0	EA
7	T16612	PLAIN WASHER	11.0	EA
8	T16613	NYLOC NUT	11.0	EA
9	T100250	FRONT LIGHT SUB HARNESS	2.0	EA
10	T100659	FRONT LIGHT HARNESS	1.0	EA
11	T100252	NUMBER PLATE HARNESS	1.0	EA
12	T19233	SET SCREW	2.0	EA
13	T11440	WASHER	2.0	EA
14	T9078	SINGLE PLASTIC CABLE CLIP	2.0	EA
15	T16957	NYLOC NUT	2.0	EA
16	T100017	HORN	1.0	EA
17	T16477	HEAD BOLT	1.0	EA
18	T13911	FLAT WASHER	2.0	EA
19	T16481	NYLOC NUT	1.0	EA

Engine & Light Harness

**HYDRAULIC TANK ASSEMBLY**

Item	Part No.	Description	Qty	U/M
1	T100373	PLASTIC HYD TANK 45L	1.0	EA
2	T52948	COVER	1.0	EA
3	T52949	SEPARATION PLATE	1.0	EA
4	T52950	SPRING	1.0	EA
5	T52692	HYDRAULIC FILTER	1.0	EA
6	T52951	BOWL	1.0	EA
7	T52954	SEAL KIT	1.0	EA
8	T52953	INDICATOR	1.0	EA
9	T52952	HEAD	1.0	EA
10	T52599	FIXING BOLT	2.0	EA
11	T52598	FIXING BOLT	2.0	EA
12	T52496	FILLER / BREATHER	1.0	EA
13*	T5594	HYD SEAL	2.0	EA
14	T52814	FILTER SEALING PLATE	1.0	EA
15	T52495	FILTER SEALING GASKET	1.0	EA
16	T52497	RETURN FILTER	1.0	EA
17	T13936	ADAPTOR	1.0	EA
18	T15532	TEE PIECE	1.0	EA

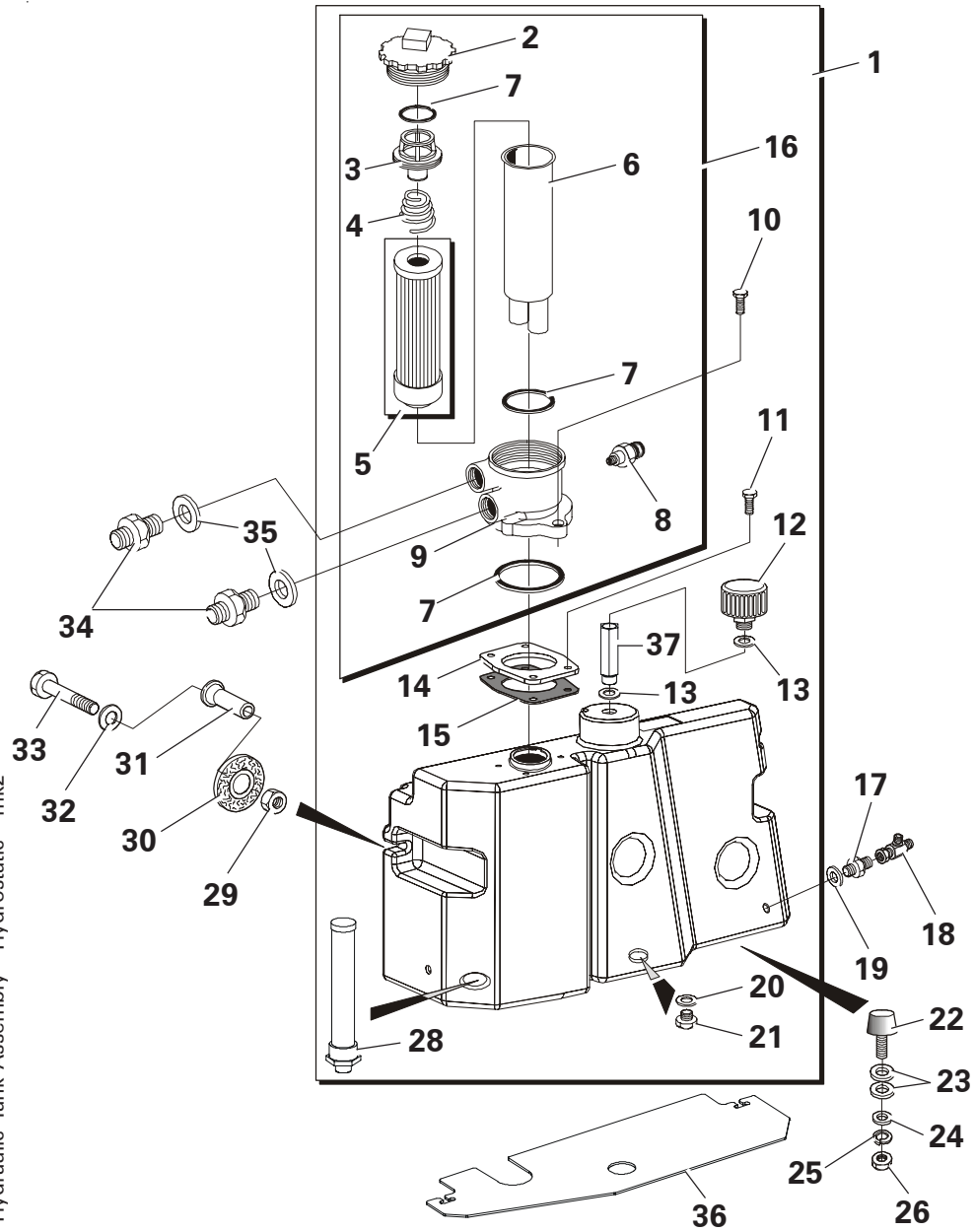


Hydraulic Tank Assembly - Hydrostatic - mk2

HYDRAULIC TANK ASSEMBLY

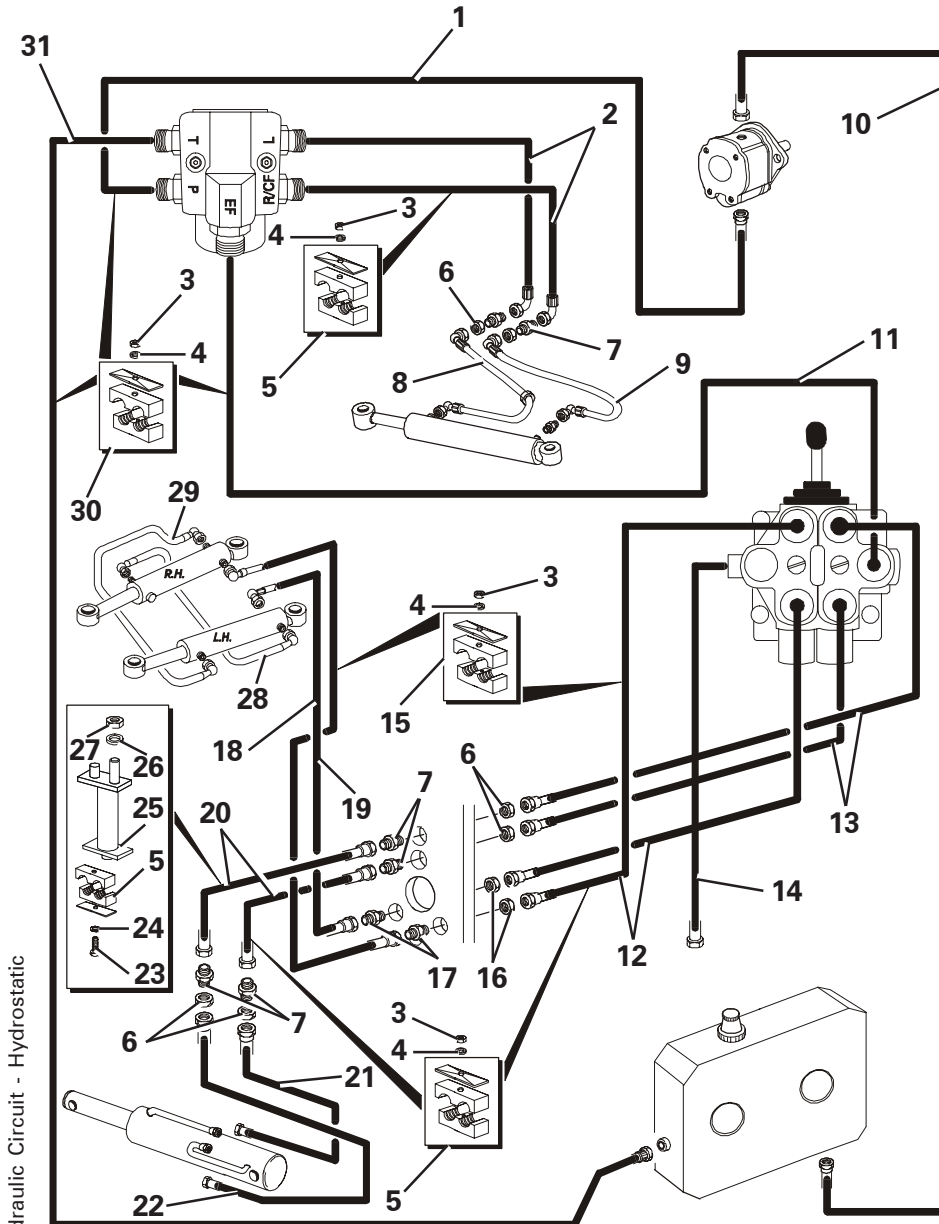
Item	Part No.	Description	Qty	U/M
19	T5596	HYDRAULIC SEAL	1.0	EA
20	T52588	FIBRE WASHER	1.0	EA
21	T52282	DRAIN PLUG	1.0	EA
22	T100214	RUBBER BUFFER	2.0	EA
23	T8128	WASHER	4.0	EA
24	T9345	WASHER	2.0	EA
25	T12972	SPRING WASHER	2.0	EA
26	T9775	NUT	2.0	EA
27*		DELETED		
28*	T101240	SUCTION ELEMENT	1.0	EA
29	T13064	NUT	2.0	EA
30	T100323	RUBBER BACKED WASHER	2.0	EA
31	T100372	TANK SPACER	2.0	EA
32	T10734	HEAVY DUTY WASHER	2.0	EA
33	T17963	BOLT	2.0	EA
34	T16972	ADAPTOR	2.0	EA
35	T6169	WASHER	2.0	EA
36*	T101241	HYDRAULIC TANK GUARD	1.0	EA
37*	T101634	BREATHER EXTENSION	1.0	EA

Hydraulic Tank Assembly - Hydrostatic - mk2



## HYDRAULIC CIRCUIT - CONTROLS

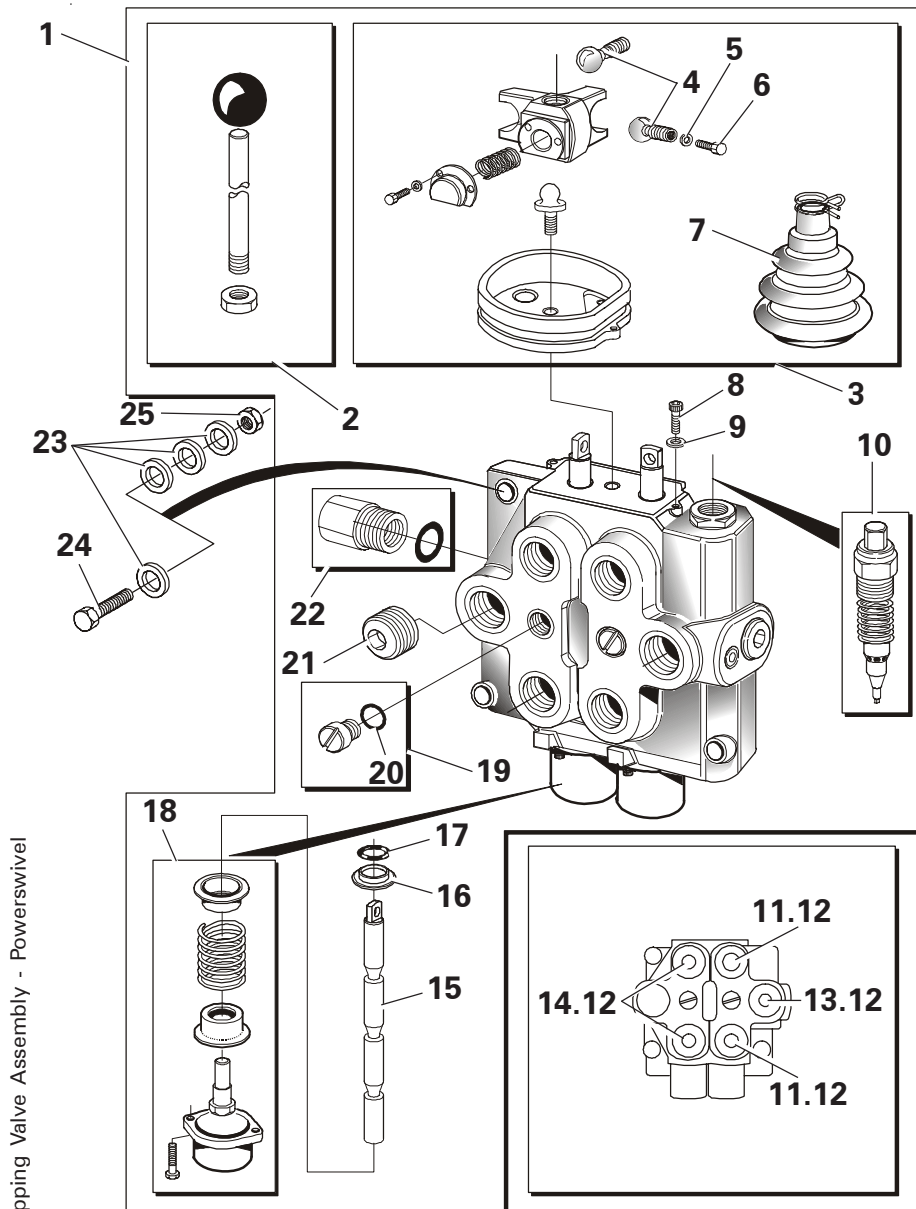
Item	Part No.	Description	Qty	U/M
1	T100705	HOSE	1.0	EA
2	T100708	HOSE	2.0	EA
3	T13457	NYLOC NUT	7.0	EA
4	T12973	PLAIN WASHER	7.0	EA
5	T100564	PIPE CLAMP	4.0	EA
6	T52552	LOCKNUT	6.0	EA
7	T100392	ADAPTOR	6.0	EA
8	T100729	HOSE	1.0	EA
9	T100728	HOSE	1.0	EA
10	T100720	HOSE	1.0	EA
11	T100707	HOSE	1.0	EA
12	T100710	HOSE	2.0	EA
13	T100709	HOSE	2.0	EA
14	T100718	HOSE	1.0	EA
15	T100565	PIPE CLAMP	2.0	EA
16	T52551	LOCKNUT	2.0	EA
17	T12483	ADAPTOR	2.0	EA
18	T100723	HOSE	1.0	EA
19	T100722	HOSE	1.0	EA
20	T100721	HOSE	2.0	EA
21	T100725	HOSE	1.0	EA
22	T100724	HOSE	1.0	EA
23	T14277	BOLT	1.0	EA
24	T12972	SPRING WASHER	1.0	EA
25	T100385	HOSE SUPPORT	1.0	EA
26	T14748	PLAIN WASHER	1.0	EA
27	T14283	PHILIDAS NUT	1.0	EA
28	T100189	HOSE	1.0	EA
29	T100190	HOSE	1.0	EA
30	T19114	PIPE CLAMP	2.0	EA
31	T100706	HOSE	1.0	EA



Hydraulic Circuit - Hydrostatic

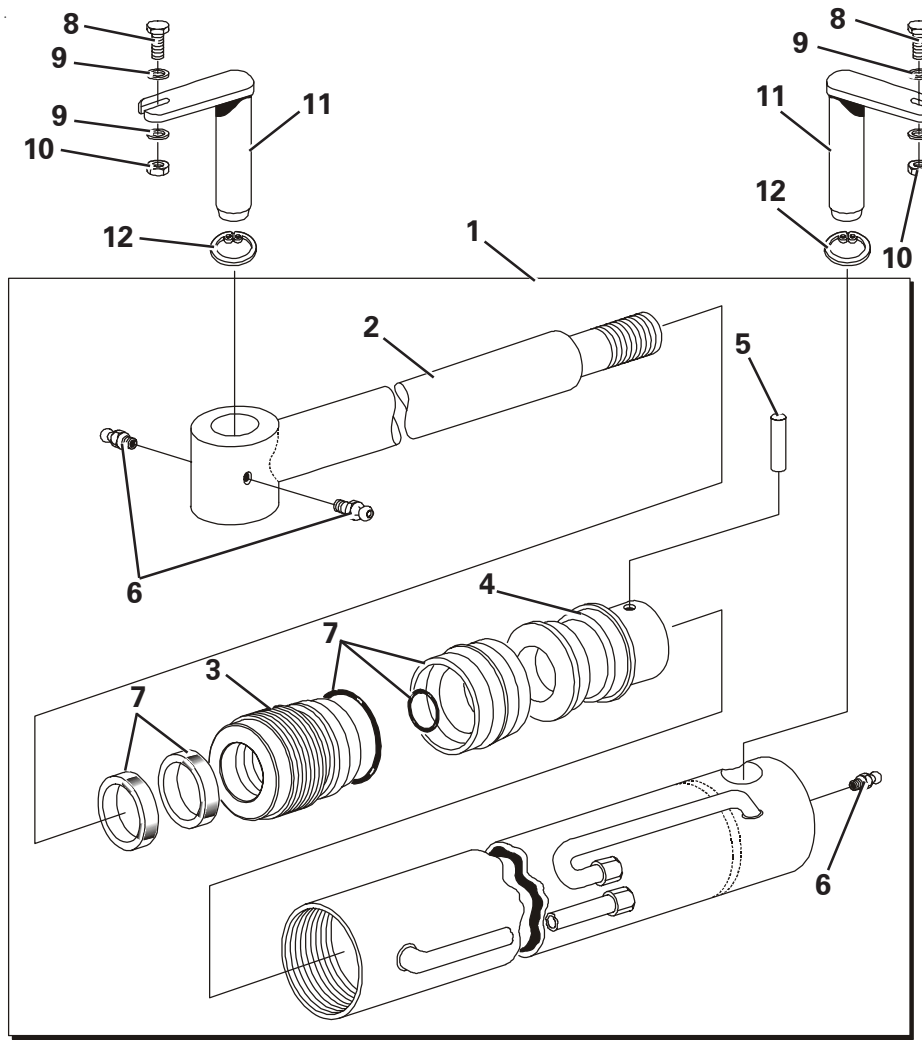
**TIPPING VALVE ASSEMBLY**

Item	Part No.	Description	Qty	U/M
1	T100030	TIPPING VALVE ASSY	1.0	EA
2	T52667	LEVER ASSEMBLY	1.0	EA
3	T52666	LEVER BASE ASSEMBLY	1.0	EA
4	T52669	SWIVEL PINS	2.0	EA
5	T52670	SPRING WASHER	2.0	EA
6	T52671	SCREW	2.0	EA
7	T52668	RUBBER GAITER	1.0	EA
8	T52672	SCREW	2.0	EA
9	T52673	SPACER	2.0	EA
10	T52674	VALVE	1.0	EA
11	T52683	ADAPTOR	2.0	EA
12	T5596	HYDRAULIC SEAL	5.0	EA
13	T100465	ADAPTOR	1.0	EA
14	T52550	ADAPTOR	1.0	EA
15	T52675	SPOOL	2.0	EA
16	T52676	FLANGED WASHER	2.0	EA
17	T52677	SEAL	2.0	EA
18	T52678	CAP ASSEMBLY	2.0	EA
19	T52680	CHECK VALVE ASSEMBLY	2.0	EA
20	T52681	SEAL	2.0	EA
21	T52682	PLUG	1.0	EA
22	T52679	ADAPTOR	1.0	EA
23	T15819	PLAIN WASHER	12.0	EA
24	T16501	BOLT	3.0	EA
25	T13064	NUT	3.0	EA



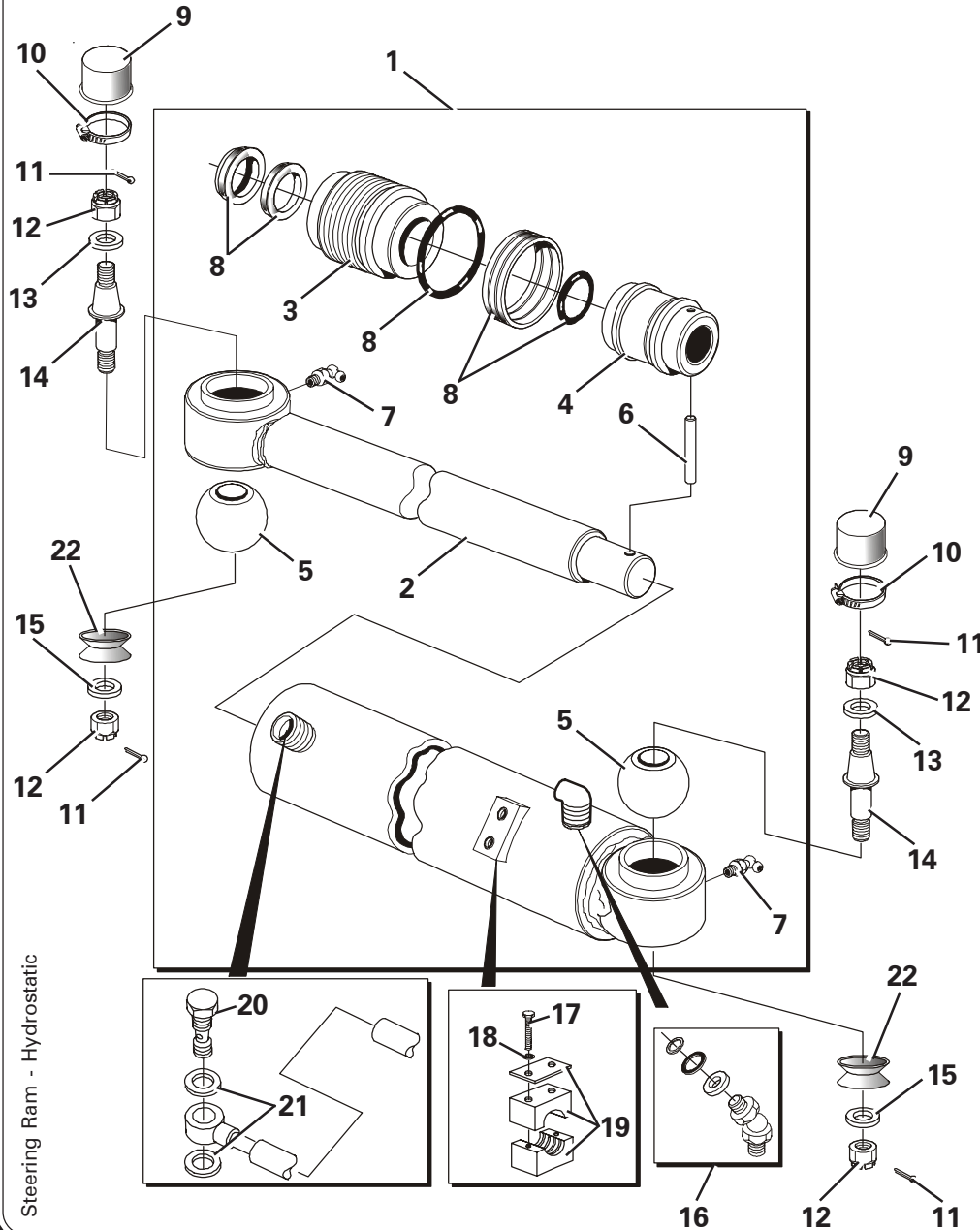
Tipping Valve Assembly - Powerswivel

**TIPPING RAM ASSEMBLY**



Item	Part No.	Description	Qty	U/M
1	T100343	TIPPING RAM	1.0	EA
2	T52786	ROD ASSY	1.0	EA
3	T52787	HEADBUSH	1.0	EA
4	T52721	PISTON	1.0	EA
5	T52788	SPRING TENSION PIN	1.0	EA
6	T13454	GREASE NIPPLE	3.0	EA
7	T52789	SEAL KIT	1.0	EA
8	T16505	SET BOLT	2.0	EA
9	T15819	PLAIN WASHER	4.0	EA
10	T13064	NUT	2.0	EA
11	T100089	TIPPING RAM PIN	2.0	EA
12	T100098	CIRCLIP	2.0	EA

**STEERING RAM ASSEMBLY**

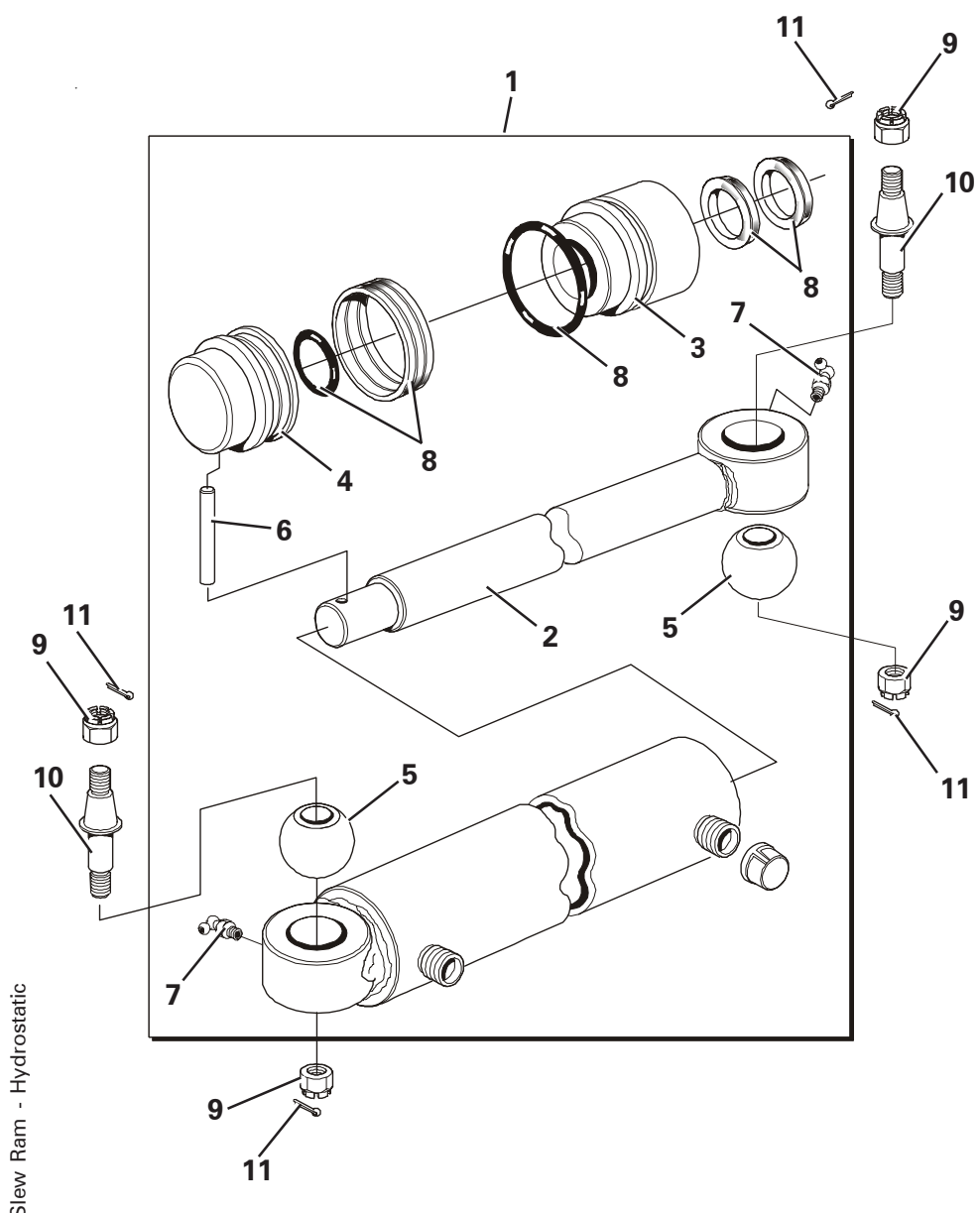


Item	Part No.	Description	Qty	U/M
1	T100654	STEERING RAM	1.0	EA
2	T52783	ROD ASSY	1.0	EA
3	T52784	HEADBUSH	1.0	EA
4	T50433	PISTON	1.0	EA
5	T51475	SPHERICAL BEARING	2.0	EA
6	T50487	TENSION PIN	1.0	EA
7	T5020	GREASE NIPPLE	2.0	EA
8	T52785	SEAL KIT	1.0	EA
9	T100652	RAM SEAL	2.0	EA
10	T7540	JUBILEE CLIP	2.0	EA
11	T6751	SPLIT PIN	4.0	EA
12	T100490	SLOTTED NUT	4.0	EA
13	T100777	PIN COLLAR	2.0	EA
14	T100483	RAM PIN	2.0	EA
15	T6768	WASHER	2.0	EA
16	T100775	ELBOW	1.0	EA
17	T17155	BOLT	2.0	EA
18	T14837	SPRING WASHER	2.0	EA
19	T100565	PIPE CLAMP	1.0	EA
20	T52793	BANJO BOLT	1.0	EA
21	T52794	WASHER	2.0	EA
22	T100653	RAM SEAL	2.0	EA

Steering Ram - Hydrostatic

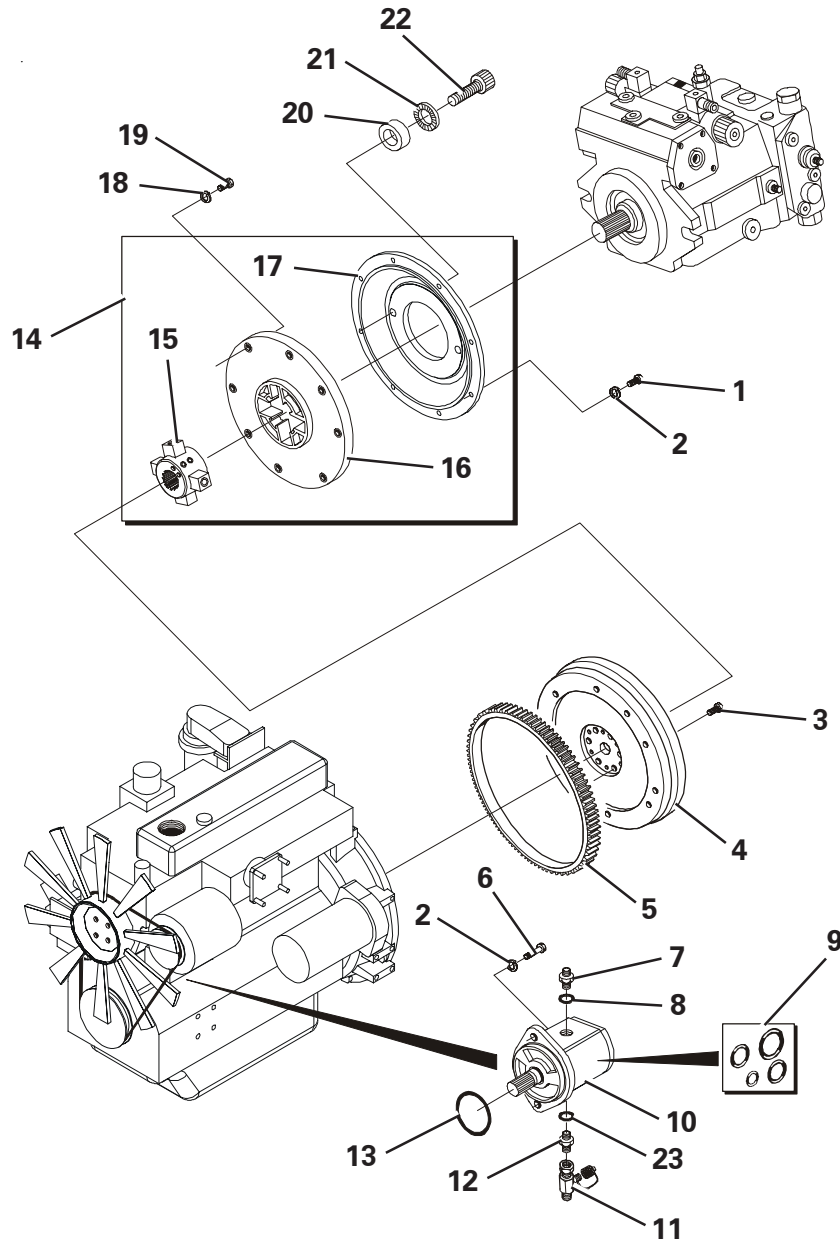
**SLEW RAM ASSEMBLY**

Item	Part No.	Description	Qty	U/M
1	T100482	SLEW RAM	2.0	EA
2	T52537	ROD	1.0	EA
3	T50492	HEAD BUSH	1.0	EA
4	T50491	PISTON	1.0	EA
5	T50489	BEARING	2.0	EA
6	T50487	TENSION PIN	1.0	EA
7	T5020	GREASE NIPPLE	2.0	EA
8	T50490	SEAL KIT	1.0	EA
9	T100490	SLOTTED NUT	8.0	EA
10	T100483	RAM PIN	4.0	EA
11	T6751	SPLIT PIN	8.0	EA



Slew Ram - Hydrostatic

**TRANSMISSION DRIVE & HYD. PUMP**

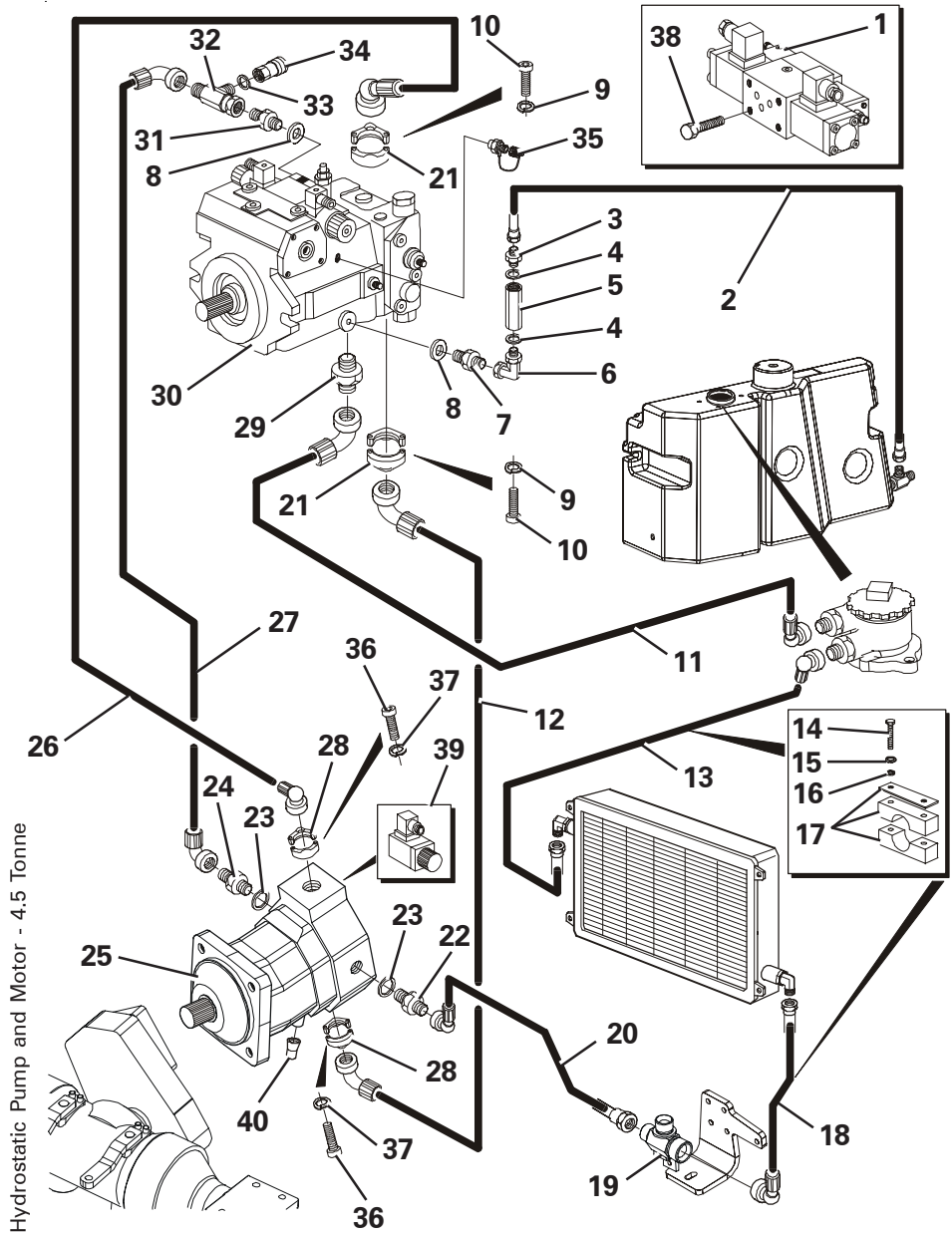


Item	Part No.	Description	Qty	U/M
1	T16771	CAP SCREW	8.0	EA
2	T13362	SPRING WASHER	10.0	EA
3	T52838	BOLT	6.0	EA
4	T52836	FLYWHEEL ASSEMBLY	1.0	EA
5	T52837	RING GEAR	1.0	EA
6	T17969	CAPHEAD SET SCREW	2.0	EA
7	T8014	MALE ADAPTOR	1.0	EA
8	T5594	HYD SEAL	1.0	EA
9	T52643	SEAL KIT	1.0	EA
10	T100588	PUMP	1.0	EA
11	T18008	PRESSURE TEST POINT ADAPTOR	1.0	EA
12*	T13936	ADAPTOR	1.0	EA
13	T52891	O RING	1.0	EA
14*	T101117	DRIVE COUPLING ASSY	1.0	EA
15*	T53165	HUBSTAR	1.0	EA
16*	T53166	ELEMENT	1.0	EA
17*	T53167	PUMP HOUSING PLATE	1.0	EA
18	T12972	SPRING WASHER	8.0	EA
19	T14152	BOLT	8.0	EA
20	T100794	WASHER	2.0	EA
21	T20699	SCHNORR WASHER	2.0	EA
22	T100795	CAPHEAD BOLT	2.0	EA
23*	T5596	HYDRAULIC SEAL	1.0	EA

Transmission Drive and Hyd. Pump - Hydrostatic

**HYDROSTATIC PUMP & MOTOR**

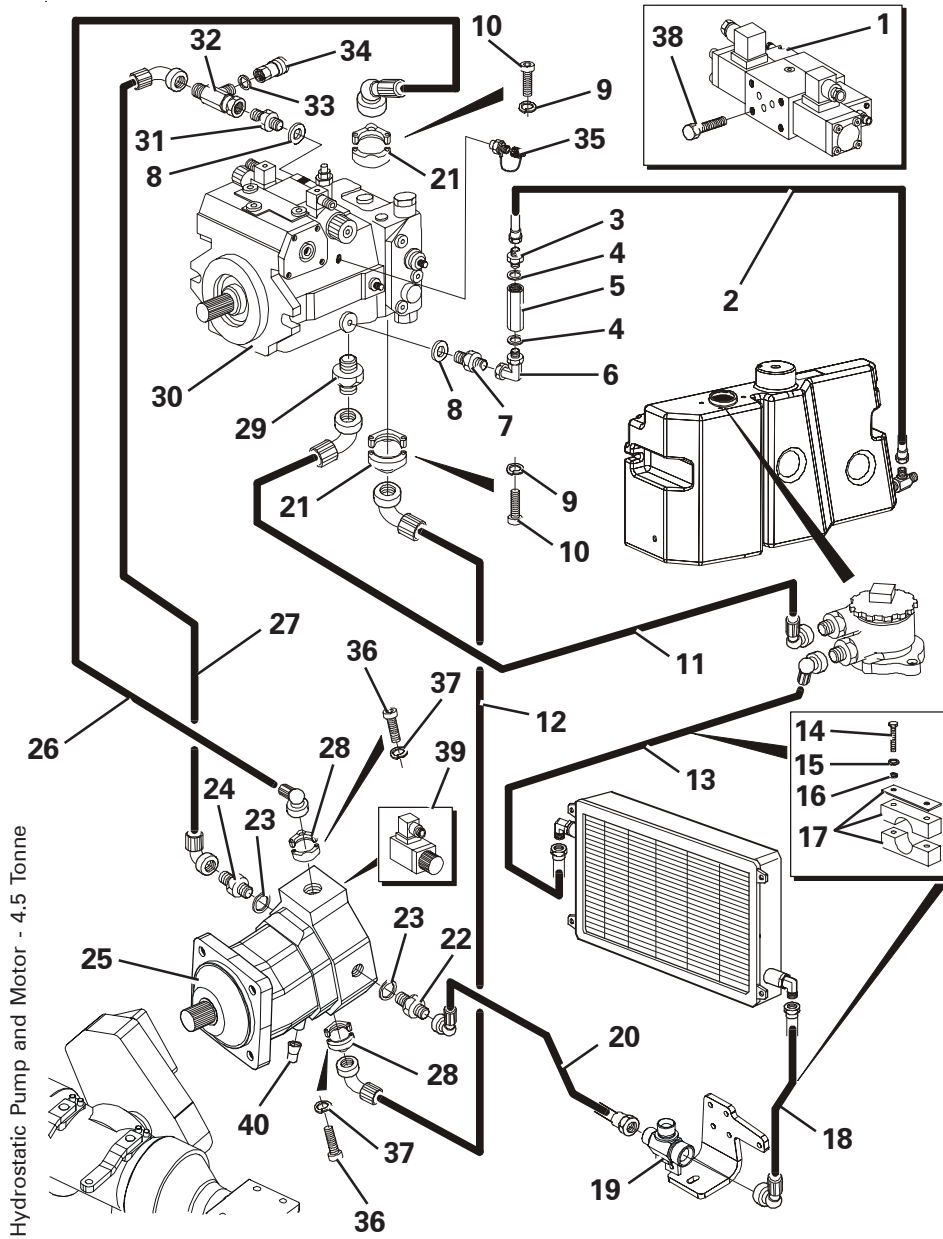
Item	Part No.	Description	Qty	U/M
1	T52910	DIRECTIONAL VALVE	1.0	EA
2	T100717	HOSE	1.0	EA
3	T13936	ADAPTOR	1.0	EA
4	T5596	HYDRAULIC SEAL	2.0	EA
5	T100683	CHECK VALVE	1.0	EA
6	T100771	ELBOW	1.0	EA
7	T20441	ADAPTOR	1.0	EA
8	T17769	HYDRAULIC WASHER	2.0	EA
9	T13362	SPRING WASHER	8.0	EA
10	T17842	CAPSCREW	8.0	EA
11	T100716	SUCTION HOSE	1.0	EA
12	T100714	HOSE	1.0	EA
13	T100715	HOSE	1.0	EA
14	T17823	BOLT	4.0	EA
15	T14837	SPRING WASHER	4.0	EA
16	T13911	FLAT WASHER	4.0	EA
17	T100755	SINGLE PIPE CLAMP	2.0	EA
18	T100719	HOSE	1.0	EA
19	T100734	SPECIAL TEE	1.0	EA
20	T100712	HOSE	1.0	EA



Hydrostatic Pump and Motor - 4.5 Tonne

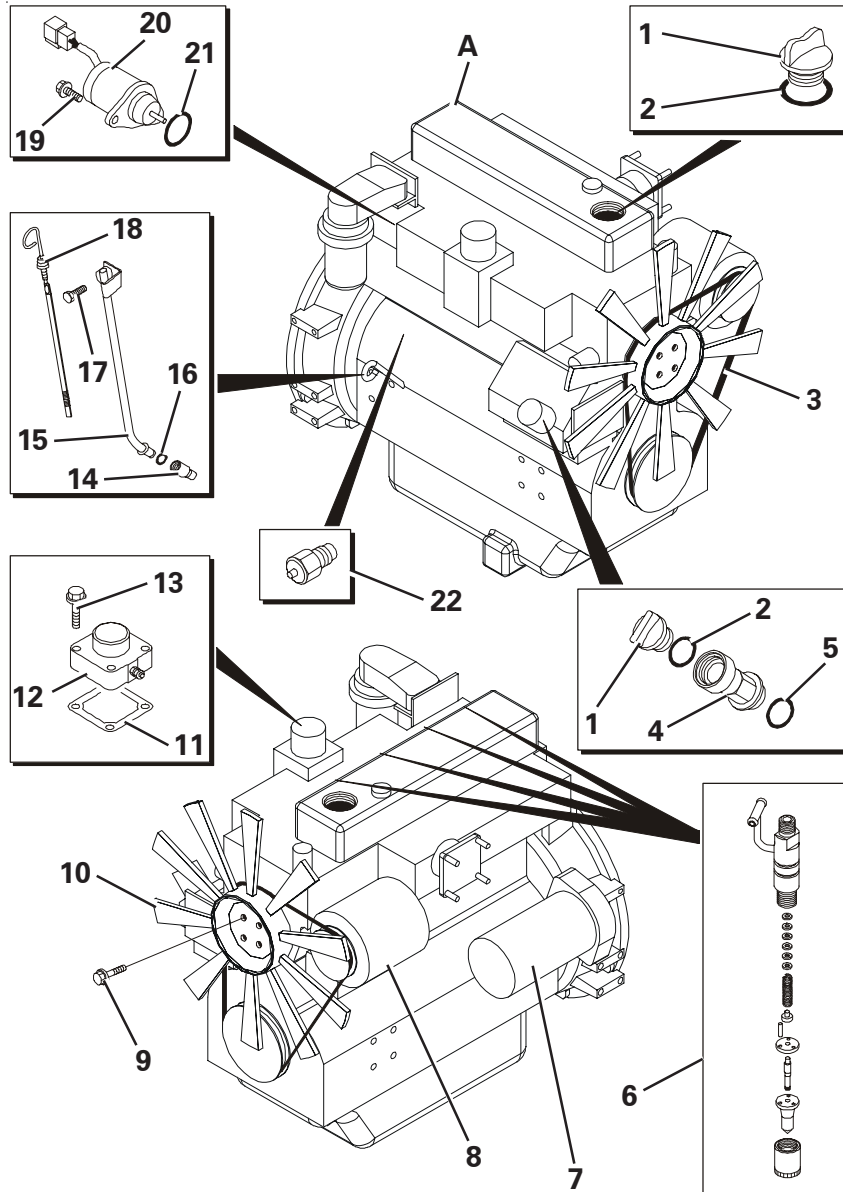
## HYDROSTATIC PUMP & MOTOR

Item	Part No.	Description	Qty	U/M
21	T17760	SPLIT FLANGE CLAMPS	2.0	PR
22	T100785	CHECK VALVE	1.0	EA
23	T100797	DOWTY WASHER	2.0	EA
24	T100770	ADAPTOR	1.0	EA
25	T100340	HYD MOTOR	1.0	EA
26	T100713	HOSE	1.0	EA
27	T100711	HOSE	1.0	EA
28	T17761	SPLIT FLANGE CLAMPS	2.0	PR
29	T100799	ADAPTOR	1.0	EA
30	T100339	HYD PUMP	1.0	EA
31	T17724	ADAPTOR	1.0	EA
32	T17481	TEE PIECE	1.0	EA
33	T5596	HYDRAULIC SEAL	1.0	EA
34	T17782	FEMALE COUPLING	1.0	EA
35	T18008	PRESSURE TEST POINT ADAPTOR	1.0	EA
36	T16673	CAP SCREW	8.0	EA
37	T14080	SPRING WASHER	8.0	EA
38	T52911	SOCKET HEAD SCREW	4.0	EA
39	T52912	SOLENOID	1.0	EA
40	T20970	TAMPER PROOF (ORANGE) CAP	1.0	EA



Hydrostatic Pump and Motor - 4.5 Tonne

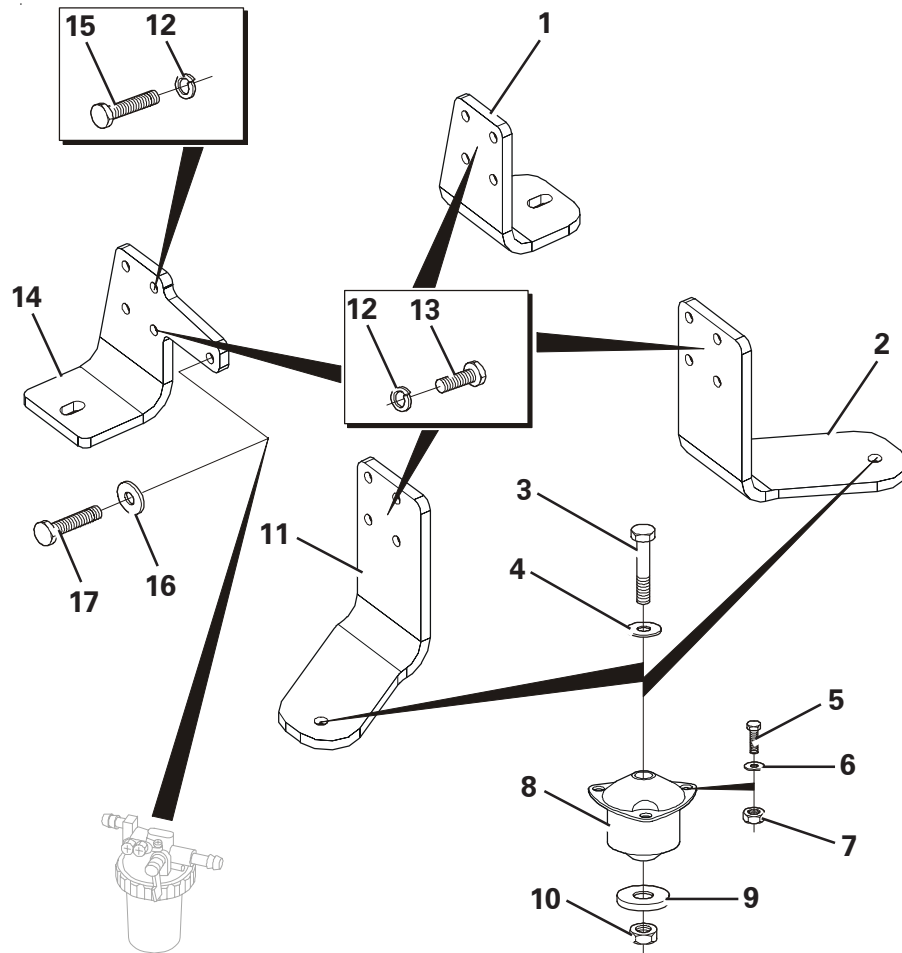
## ENGINE - ACCESSORIES



Item	Part No.	Description	Qty	U/M
A	T100686	ENGINE	1.0	EA
1	T52816	CAP	2.0	EA
2	T52817	O RING	2.0	EA
3	T52913	BELT	1.0	EA
4	T52818	PIPE	1.0	EA
5	T52819	O RING	1.0	EA
6	T52914	VALVE ASSEMBLY	4.0	EA
7	T52689	STARTER MOTOR	1.0	EA
8	T52690	GENERATOR	1.0	EA
9	T52915	BOLT	4.0	EA
10	T52916	FAN	1.0	EA
11	T52824	GASKET	1.0	EA
12	T52823	HEATER	1.0	EA
13	T52825	BOLT	4.0	EA
14	T52830	GUIDE	1.0	EA
15	T52827	GUIDE	1.0	EA
16	T52829	O RING	1.0	EA
17	T52917	BOLT	1.0	EA
18	T52826	DIPSTICK	1.0	EA
19	T52835	BOLT	2.0	EA
20	T52833	STOP SOLENOID	1.0	EA
21	T52834	O RING	1.0	EA
22	T52918	OIL PRESSURE SWITCH	1.0	EA

**ENGINE MOUNTINGS**

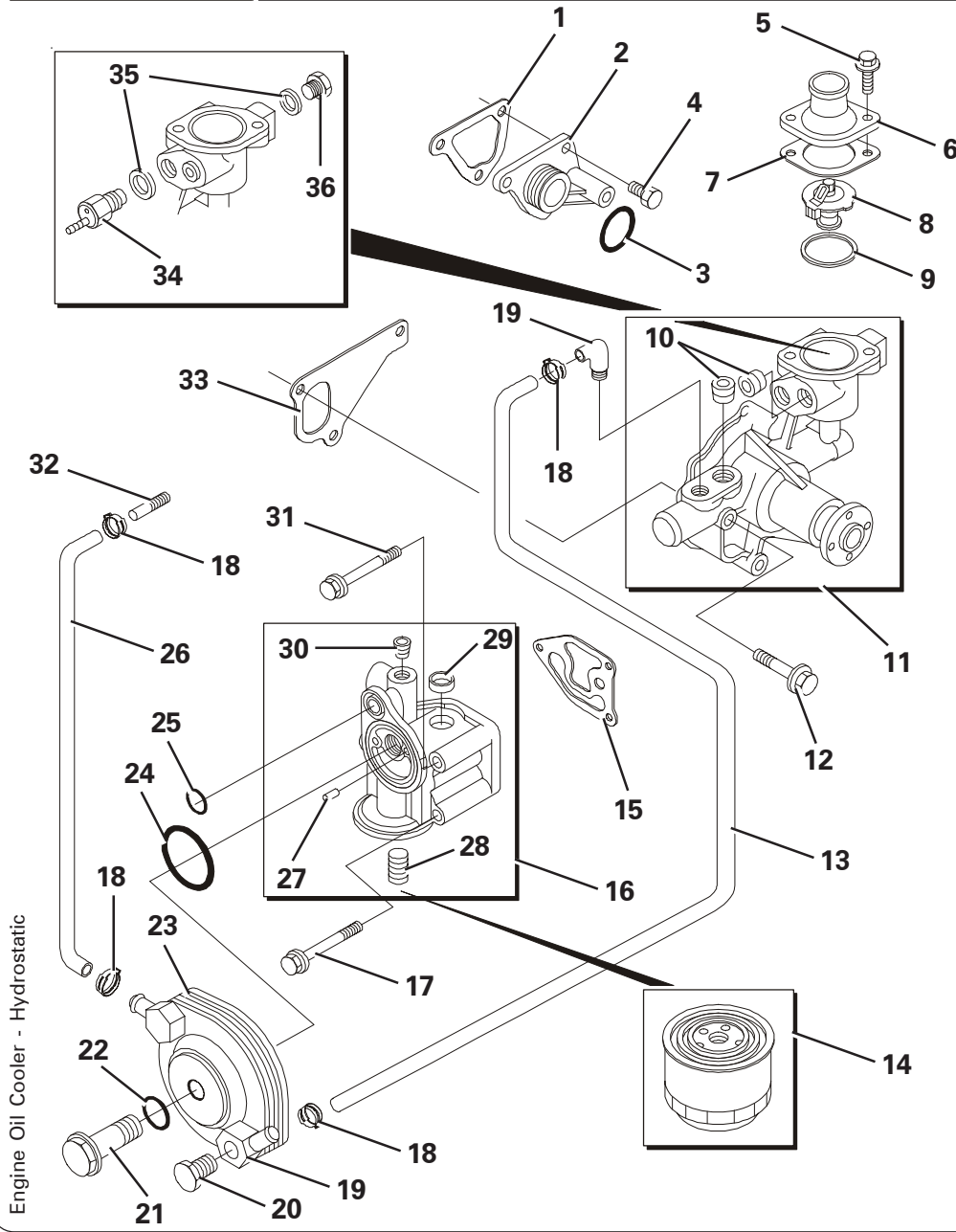
Item	Part No.	Description	Qty	U/M
1	T100371	FRONT ENGINE MNTG BRKT RH	1.0	EA
2	T100362	REAR ENGINE MNTG BRKT RH	1.0	EA
3	T14819	BOLT	4.0	EA
4	T6769	THICK WASHER	4.0	EA
5	T12694	SET SCREW	12.0	EA
6	T12973	PLAIN WASHER	12.0	EA
7	T19007	PHILIDAS NUT	12.0	EA
8*	T14564	ENGINE MOUNT	4.0	EA
9	T9046	WASHER	4.0	EA
10	T14283	PHILIDAS NUT	4.0	EA
11	T100357	REAR ENGINE MNTG BRKT LH	1.0	EA
12	T13362	SPRING WASHER	16.0	EA
13	T7466	SET SCREW	15.0	EA
14	T100363	FRONT ENGINE MNTG BRKT LH	1.0	EA
15	T20618	SET SCREW	1.0	EA
16	T12973	PLAIN WASHER	1.0	EA
17	T16666	BOLT	1.0	EA



Engine Mountings - Hydrostatic

**ENGINE OIL COOLER**

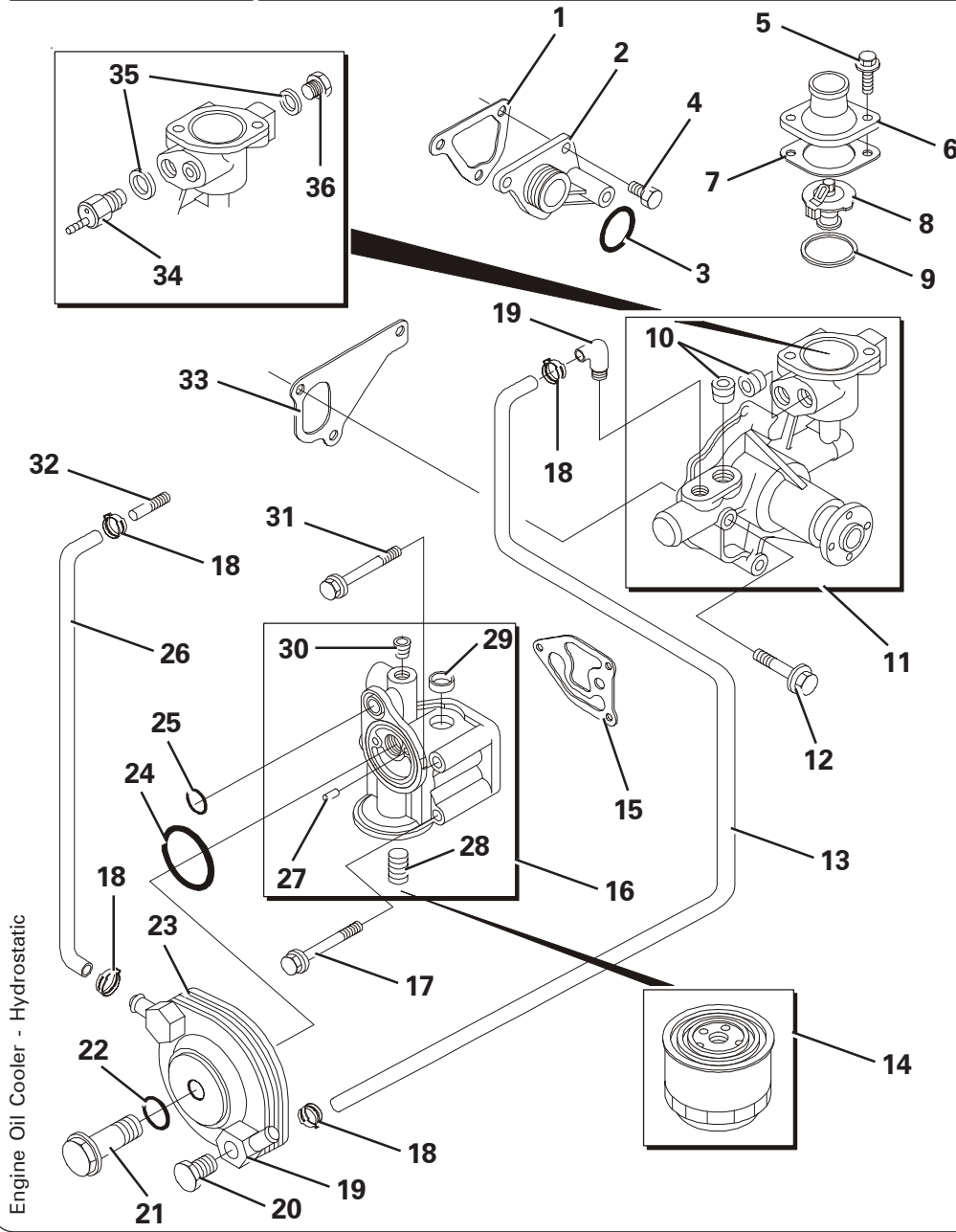
Item	Part No.	Description	Qty	U/M
1	T52839	GASKET THERMO CASE	1.0	EA
2	T52840	JOINT	1.0	EA
3	T52841	O RING	1.0	EA
4	T52842	BOLT	2.0	EA
5	T52843	BOLT	2.0	EA
6	T52844	THERMOSTAT COVER	1.0	EA
7	T52845	GASKET	1.0	EA
8	T52846	THERMOSTAT	1.0	EA
9	T52847	GASKET	1.0	EA
10	T52848	PLUG	2.0	EA
11	T52849	PUMP ASSEMBLY	1.0	EA
12	T52850	BOLT	1.0	EA
13	T52853	PIPE	1.0	EA
14	T52686	OIL FILTER	1.0	EA
15	T52870	GASKET	1.0	EA
16	T52869	BRACKET	1.0	EA
17	T52862	BOLT	1.0	EA
18	T52852	CLAMP	4.0	EA



Engine Oil Cooler - Hydrostatic

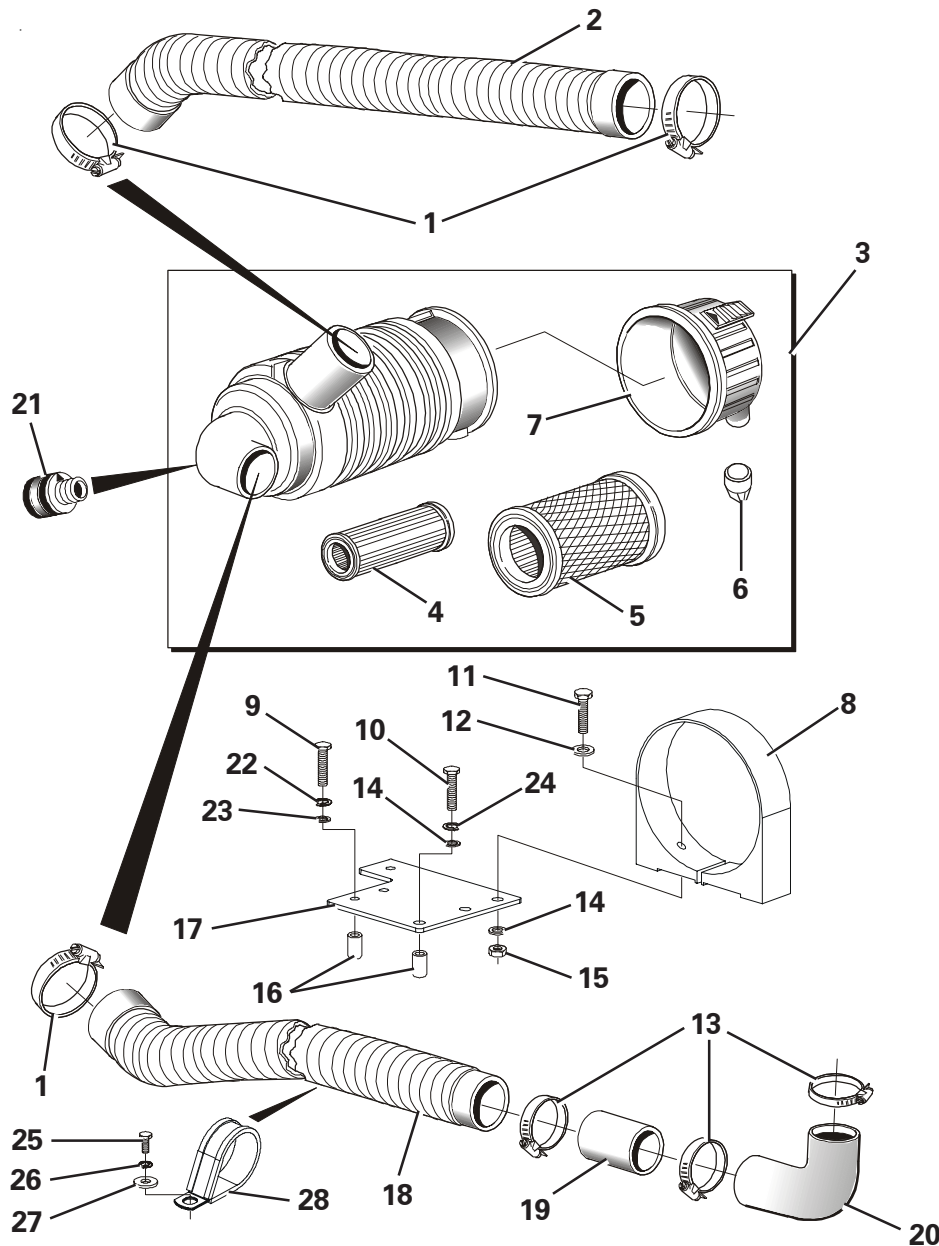
**ENGINE OIL COOLER**

Item	Part No.	Description	Qty	U/M
19	T52851	ELBOW	2.0	EA
20	T52855	DRAIN PLUG	1.0	EA
21	T52857	BOLT	1.0	EA
22	T52858	O RING	1.0	EA
23	T52854	COOLER	1.0	EA
24	T52864	O RING	1.0	EA
25	T52863	O RING	1.0	EA
26	T52859	PIPE	1.0	EA
27	T52866	PIN	1.0	EA
28	T52865	STUD	1.0	EA
29	T52868	PLUG	1.0	EA
30	T52867	PLUG	1.0	EA
31	T52861	BOLT	1.0	EA
32	T52860	JOINT	1.0	EA
33	T52871	GASKET	1.0	EA
34	T52831	WATER TEMP SENDER	1.0	EA
35	T52872	GASKET	2.0	EA
36	T52873	PLUG	1.0	EA

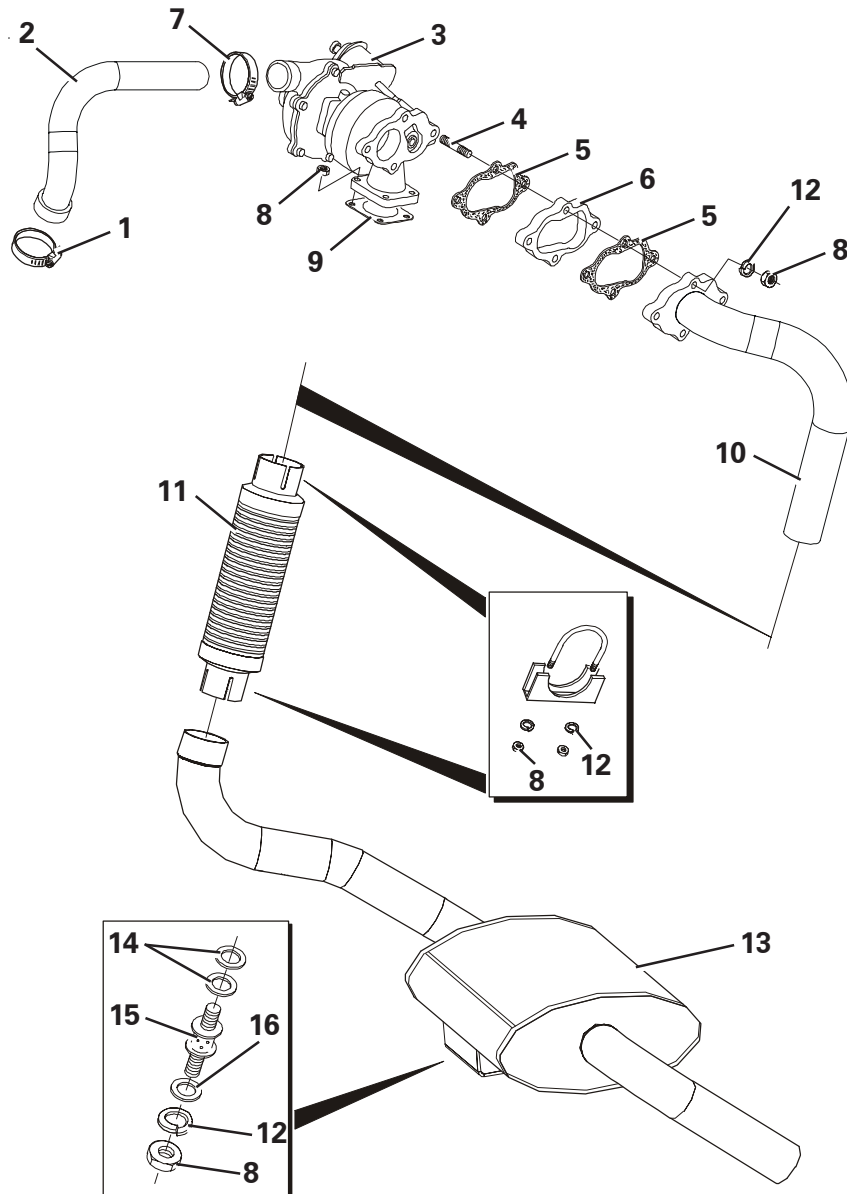


Engine Oil Cooler - Hydrostatic

**AIR CLEANER ASSEMBLY**

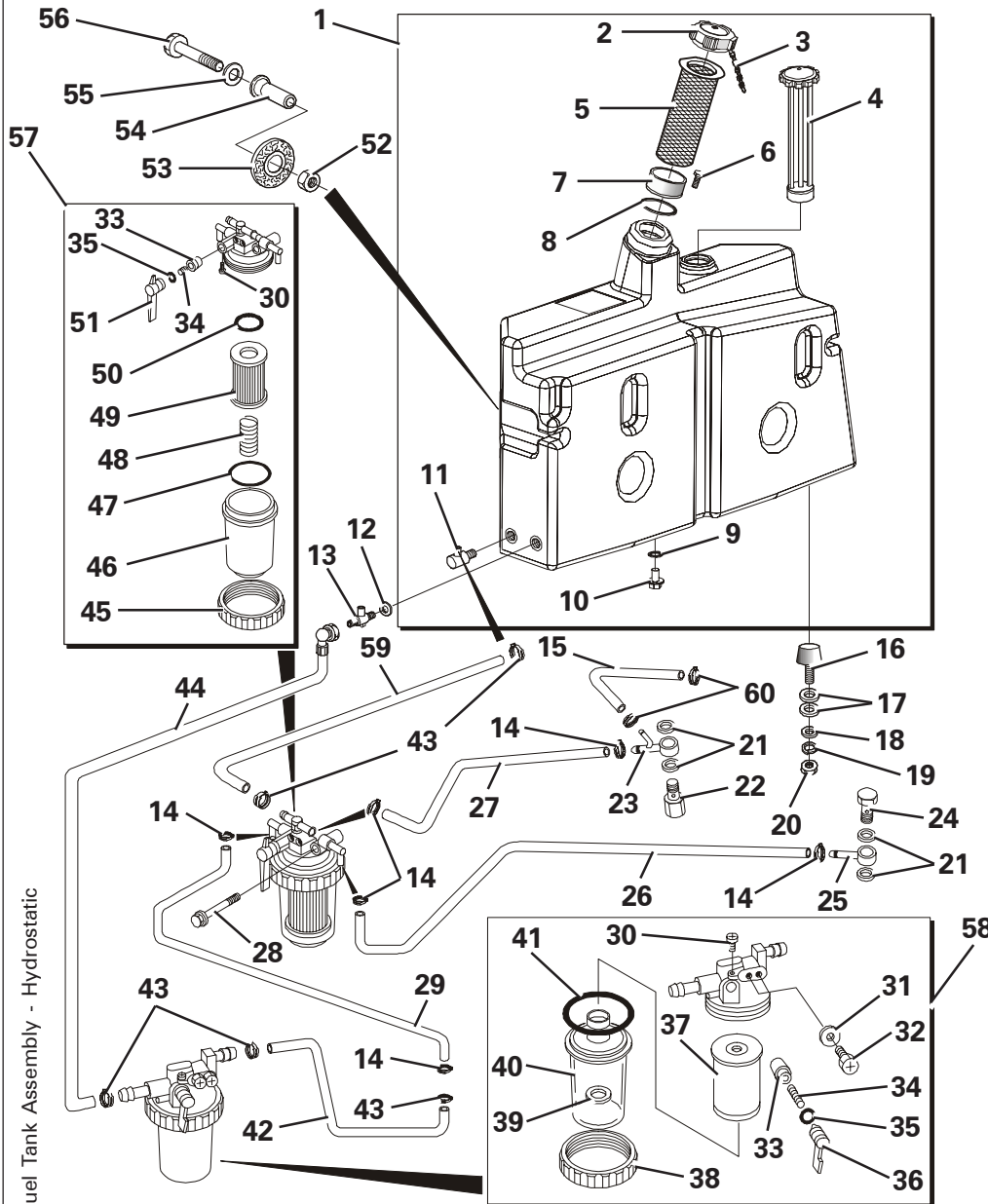


Item	Part No.	Description	Qty	U/M
1*	T7872	JUBILEE CLIP	3.0	EA
2	T100822	FLEXIBLE AIR CLEANER HOSE	1.0	EA
3	T100234	AIR CLEANER	1.0	EA
4	T52648	SAFETY ELEMENT	1.0	EA
5	T52647	MAIN ELEMENT	1.0	EA
6	T51772	VAC VALVE	1.0	EA
7	T52649	DUST COVER	1.0	EA
8	T100478	AIR CLEANER MOUNTING BAND	1.0	EA
9	T16501	BOLT	2.0	EA
10	T16493	SCREW	2.0	EA
11	T16491	SCREW	2.0	EA
12	T9345	WASHER	2.0	EA
13	T7872	JUBILEE CLIP	3.0	EA
14	T12973	PLAIN WASHER	4.0	EA
15	T13457	NYLOC NUT	2.0	EA
16	T100935	SPACER TUBE	4.0	EA
17	T100934	MOUNTING PLATE	1.0	EA
18	T100637	FLEXIBLE AIR CLEANER HOSE	1.0	EA
19	T100824	SUPPORT SLEEVE	1.0	EA
20	T100821	REDUCING RUBBER ELBOW	1.0	EA
21	T100282	RESTRICTION INDICATOR	1.0	EA
22	T13362	SPRING WASHER	2.0	EA
23	T15819	PLAIN WASHER	2.0	EA
24	T12972	SPRING WASHER	2.0	EA
25*	T10917	SET BOLT	1.0	EA
26*	T14837	SPRING WASHER	1.0	EA
27*	T6668	WASHER	1.0	EA
28*	T101118	`P` CLIP	1.0	EA



**EXHAUST SYSTEM & TURBO**

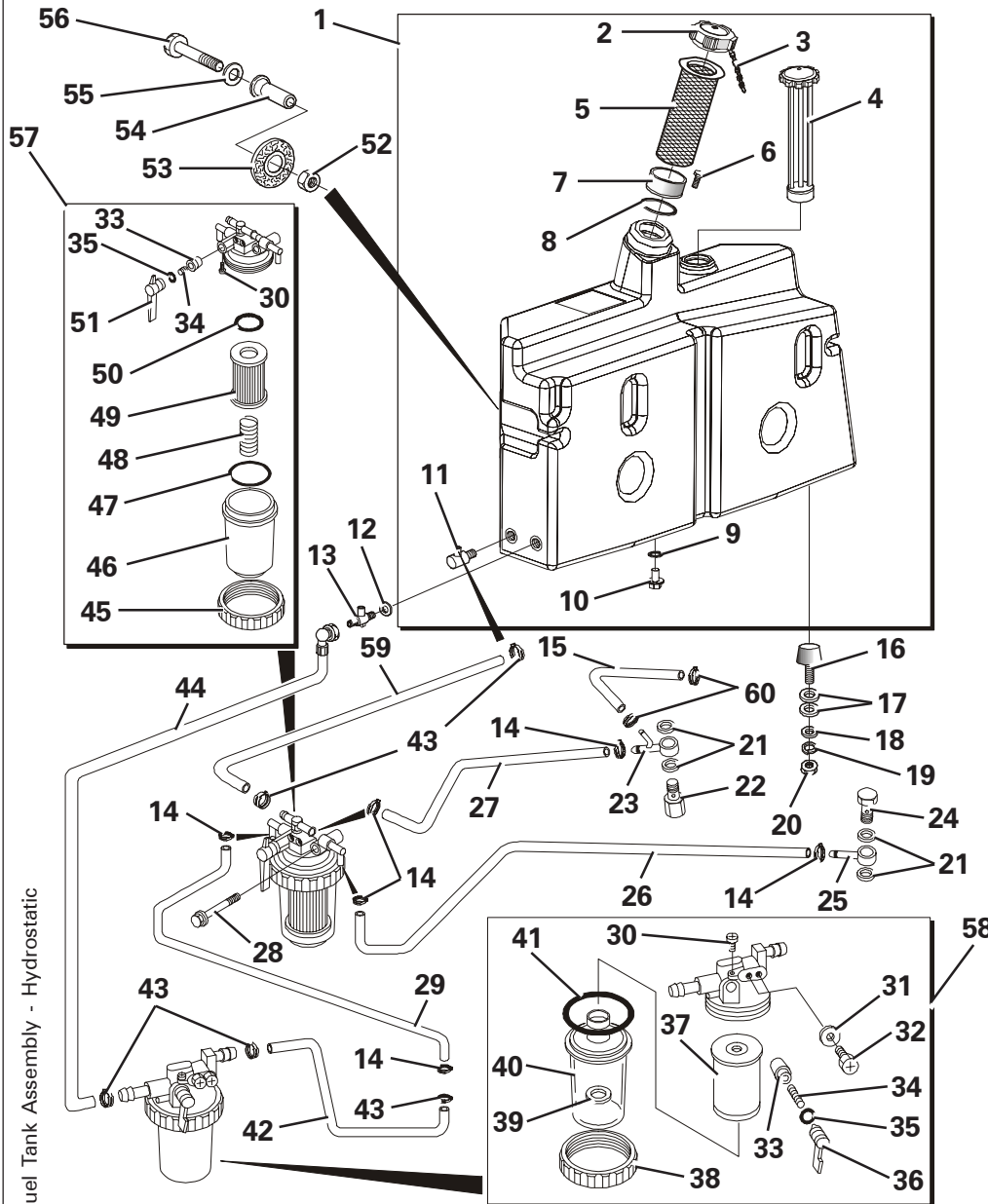
Item	Part No.	Description	Qty	U/M
1	T52924	CLAMP	1.0	EA
2	T52922	INTAKE PIPE	1.0	EA
3	T52920	TURBOCHARGER	1.0	EA
4	T100933	STUD	4.0	EA
5	T52919	GASKET	2.0	EA
6	T100808	EXHAUST SPACER	1.0	EA
7	T52923	CLAMP	1.0	EA
8	T9775	NUT	19.0	EA
9	T52921	GASKET	1.0	EA
10	T100620	EXHAUST PIPE	1.0	EA
11	T100602	EXHAUST FLEXIBLE	1.0	EA
12	T12972	SPRING WASHER	15.0	EA
13	T100601	EXHAUST SILENCER	1.0	EA
14	T9345	WASHER	6.0	EA
15	T100796	RUBBER BUFFER	3.0	EA
16	T12973	PLAIN WASHER	3.0	EA



## FUEL TANK ASSEMBLY

Item	Part No.	Description	Qty	U/M
1	T100374	PLASTIC FUEL TANK 45L	1.0	EA
2	T52283	FUEL FILLER CAP	1.0	EA
3	T52437	FILLER CAP CHAIN	1.0	EA
4	T52498	LEVEL GAUGE	1.0	EA
5	T52284	STRAINER	1.0	EA
6	T52590	SCREW	4.0	EA
7	T52543	FILLER CAP COLLAR	1.0	EA
8	T52589	O RING	1.0	EA
9	T52588	FIBRE WASHER	1.0	EA
10	T52282	DRAIN PLUG	1.0	EA
11	T52372	FUEL RETURN ELBOW	1.0	EA
12	T5695	FIBRE WASHER FUEL TAP	1.0	EA
13	T5694	FUEL TAP	1.0	EA
14	T52882	CLAMP	6.0	EA
15	T52876	PIPE	1.0	EA
16	T100214	RUBBER BUFFER	2.0	EA
17	T8128	WASHER	4.0	EA
18	T9345	WASHER	2.0	EA
19	T12972	SPRING WASHER	2.0	EA
20	T9775	NUT	2.0	EA
21	T52879	SEAL WASHER	4.0	EA
22	T52880	VALVE ASSY	1.0	EA
23	T52878	JOINT	1.0	EA
24	T52883	BOLT	1.0	EA
25	T52906	JOINT	1.0	EA
26	T52905	PIPE	1.0	EA
27	T52881	PIPE	1.0	EA
28	T52904	BOLT	1.0	EA
29	T52907	PIPE	1.0	EA
30	T52884	SCREW	2.0	EA

Fuel Tank Assembly - Hydrostatic

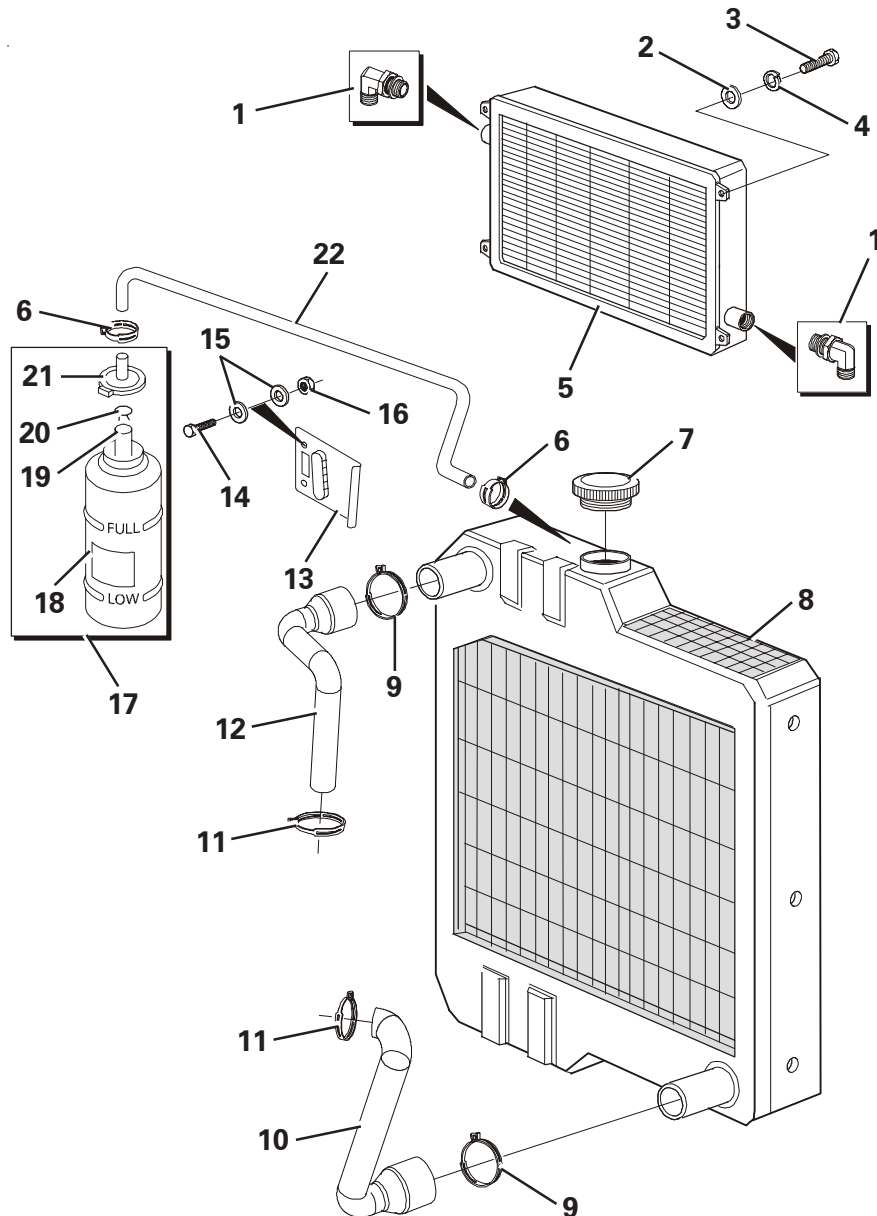


## FUEL TANK ASSEMBLY

Item	Part No.	Description	Qty	U/M
31	T52885	NYLON GASKET	2.0	EA
32	T52886	PLUG	2.0	EA
33	T52887	VALVE	2.0	EA
34	T52888	SPRING	2.0	EA
35	T52829	O RING	2.0	EA
36	T52890	HANDLE	1.0	EA
37	T52691	SCREEN FILTER	1.0	EA
38	T52895	RING	1.0	EA
39	T52894	FLOAT	1.0	EA
40	T52893	STRAINER CUP	1.0	EA
41	T52892	O RING	1.0	EA
42	T100745	FUEL HOSE	1.0	EA
43	T100691	HOSE CLIP	5.0	EA
44	T100744	FUEL HOSE	1.0	EA
45	T52897	RING	1.0	EA
46	T52898	STRAINER CUP	1.0	EA
47	T52899	O RING	1.0	EA
48	T52900	SPRING	1.0	EA
49	T52687	ELEMENT FUEL OIL	1.0	EA
50	T52901	O RING	1.0	EA
51	T52902	LEVER	1.0	EA
52	T12762	LOCKING NUT	2.0	EA
53	T100323	RUBBER BACKED WASHER	2.0	EA
54	T100372	TANK SPACER	2.0	EA
55	T17184	HEAVY DUTY WASHER	2.0	EA
56	T17963	BOLT	2.0	EA
57	T52903	FUEL STRAINER ASSY	1.0	EA
58	T52896	WATER SEPERATOR ASSY	1.0	EA
59	T100746	FUEL HOSE	1.0	EA
60	T52877	CLAMP	2.0	EA

Fuel Tank Assembly - Hydrostatic

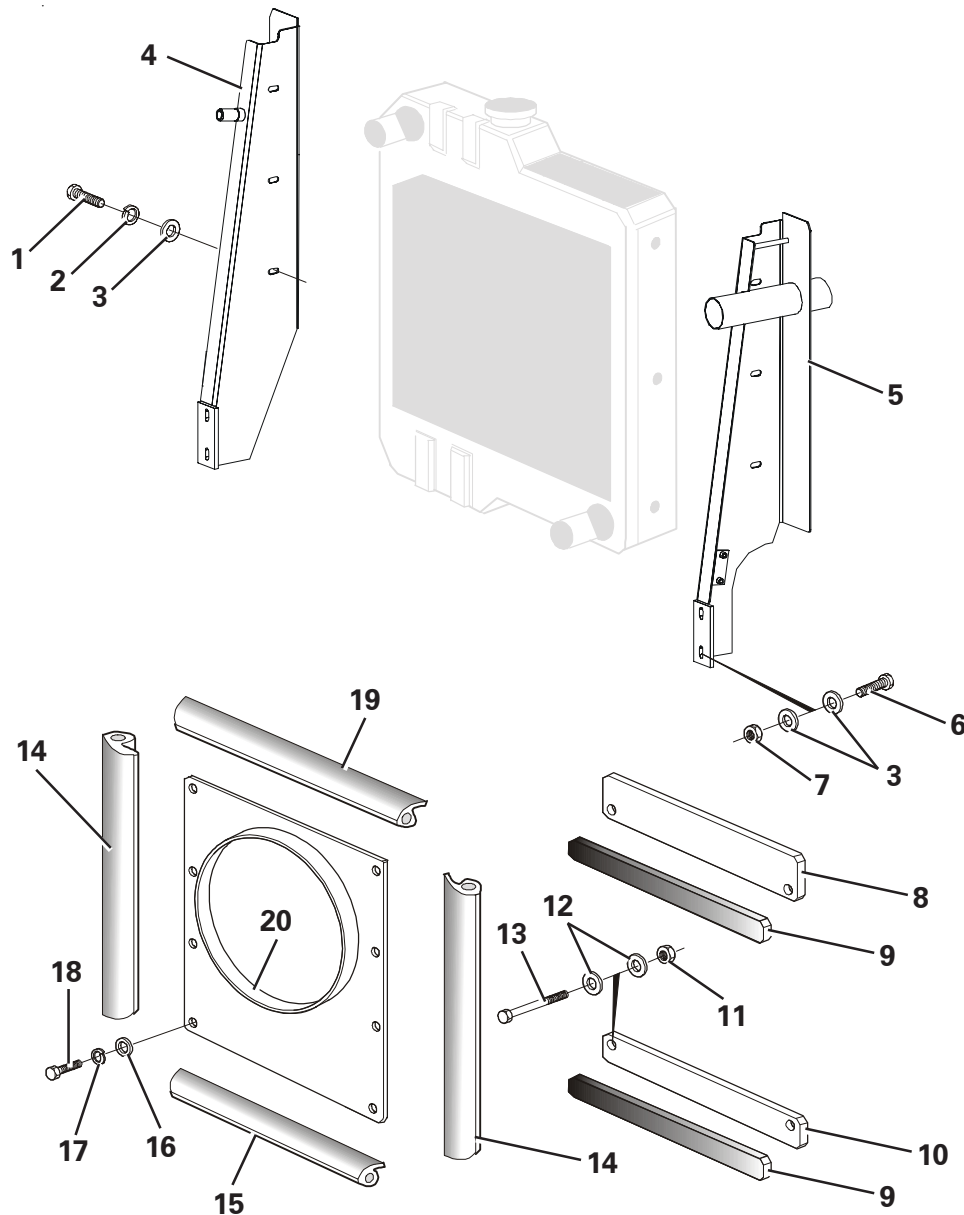
RADIATOR & OIL COOLER



Item	Part No.	Description	Qty	U/M
1	T100774	ELBOW	2.0	EA
2	T13911	FLAT WASHER	4.0	EA
3	T10917	SET BOLT	4.0	EA
4	T14837	SPRING WASHER	4.0	EA
5*	T53108	OIL COOLER	1.0	EA
6	T100421	SPRING BAND CLAMP	2.0	EA
7	T52889	RADIATOR CAP	1.0	EA
8*	T101365	RADIATOR	1.0	EA
9	T100422	SPRING BAND CLAMP	2.0	EA
10	T100619	RADIATOR HOSE (BTM)	1.0	EA
11	T100687	SPRING BAND CLAMP	2.0	EA
12	T100618	RADIATOR HOSE (TOP)	1.0	EA
13	T52805	BRACKET SUB-TANK	1.0	EA
14	T7465	SET SCREW	2.0	EA
15	T12973	PLAIN WASHER	4.0	EA
16	T13457	NYLOC NUT	2.0	EA
17	T52800	TANK ASSEMBLY	1.0	EA
18	T52801	TANK	1.0	EA
19	T52804	PIPE	1.0	EA
20	T52803	CLAMP	1.0	EA
21	T52802	CAP	1.0	EA
22	T100748	HOSE	1.0	EA

## RADIATOR SEALS AND FIXINGS

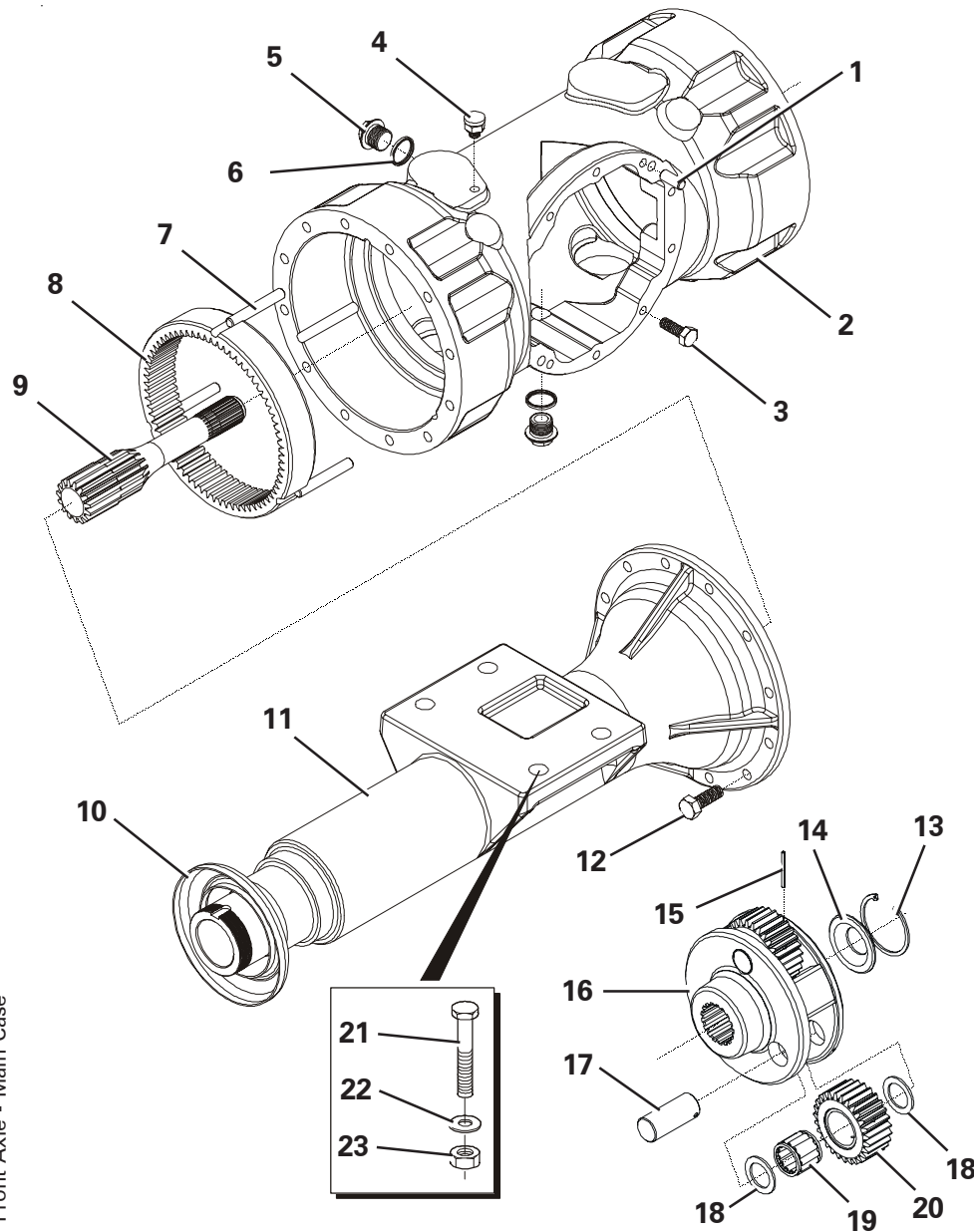
Item	Part No.	Description	Qty	U/M
1	T7466	SET SCREW	6.0	EA
2	T13362	SPRING WASHER	6.0	EA
3	T10734	HEAVY DUTY WASHER	14.0	EA
4	T100494	RADIATOR MOUNTING BRACKET	1.0	EA
5	T100493	RADIATOR MOUNTING BRACKET	1.0	EA
6	T20618	SET SCREW	4.0	EA
7	T13064	NUT	4.0	EA
8	T100626	RADIATOR SEALING PLATE (TOP)	1.0	EA
9	T52806	SEALING STRIP	2.0	EA
10	T100627	RADIATOR SEALING PLATE (BTM)	1.0	EA
11	T13457	NYLOC NUT	4.0	EA
12	T12973	PLAIN WASHER	8.0	EA
13	T52807	BOLT	4.0	EA
14	T100813	RAD SEAL (SIDE)	2.0	EA
15	T100811	RAD SEAL (LOWER)	1.0	EA
16	T13911	FLAT WASHER	8.0	EA
17	T14837	SPRING WASHER	8.0	EA
18	T10917	SET BOLT	8.0	EA
19	T100812	RAD SEAL (TOP)	1.0	EA
20*	T53107	RADIATOR COWL	1.0	EA



Radiator Seals & Fixings - Hydrostatic

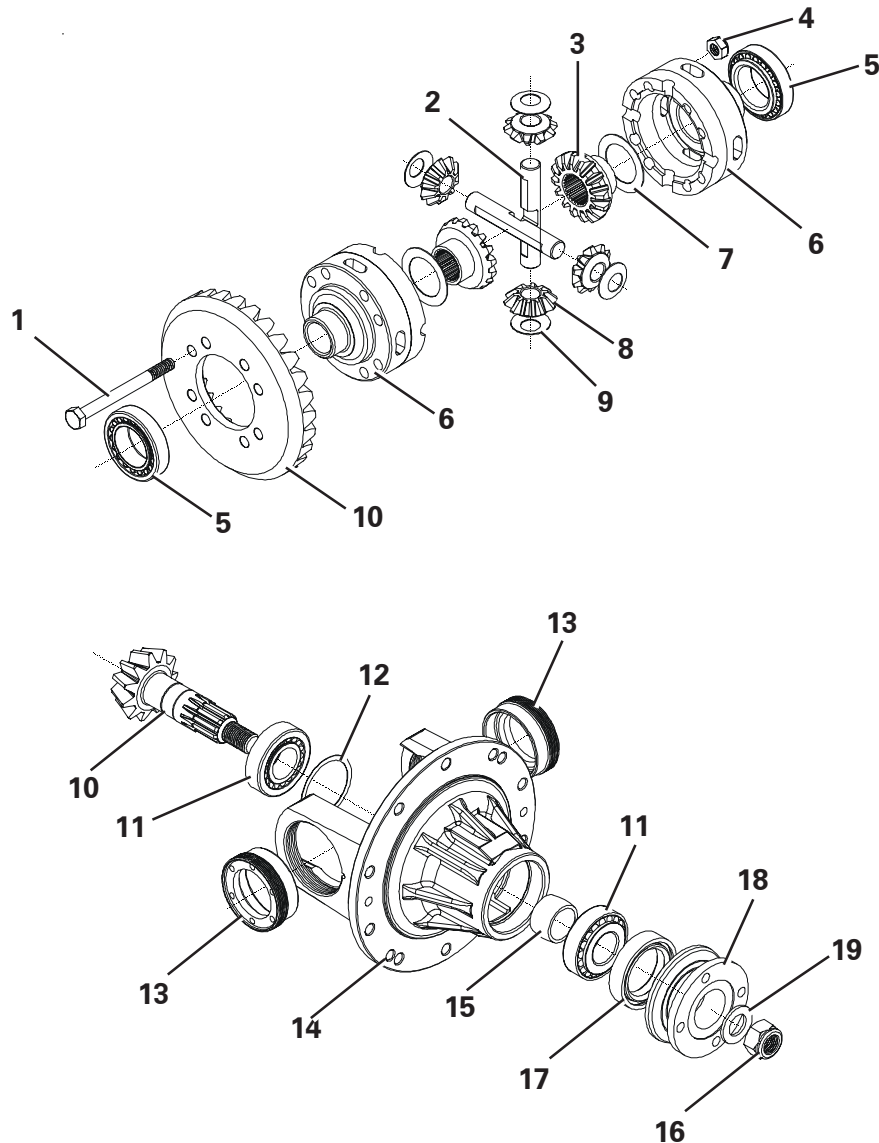
**FRONT AXLE - MAIN CASE**

Item	Part No.	Description	Qty	U/M
A	T100544	FRONT AXLE ASSEMBLY	1.0	EA
1	T3019	DOWEL PIN	2.0	EA
2	T52808	MAIN CASE	1.0	EA
3	T52599	FIXING BOLT	10.0	EA
4*	T53442	BREATHER	1.0	EA
5*	T53074	PLUG	2.0	EA
6	T50423	BOND SEAL	2.0	EA
7	T52761	DOWEL PIN	6.0	EA
8	T52756	ANNULUS	2.0	EA
9	T52760	SUN GEAR	2.0	EA
10	T52759	HUB SEAL COVER	2.0	EA
11	T52809	AXLE ARM	2.0	EA
12	T52762	BOLT	24.0	EA
13	T2687	CIRCLIP	2.0	EA
14	T50365	SPACER AXLE SHAFT	2.0	EA
15	T2880	SPRING DOWEL	6.0	EA
16	T52734	PLANET CARRIER	2.0	EA
17	T52736	PLANET PIN	6.0	EA
18	T50367	THRUST WASHER	12.0	EA
19	T52737	NEEDLE BEARING	6.0	EA
20	T52735	PLANET GEAR	6.0	EA
21	T11315	BOLT	8.0	EA
22	T100867	PLAIN WASHER	8.0	EA
23	T14910	NUT	8.0	EA



Front Axle - Main Case

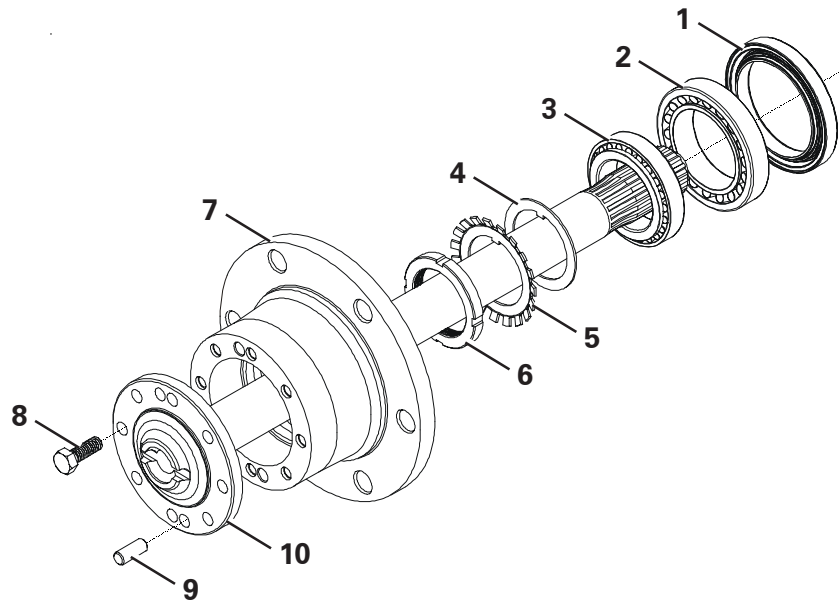
**FRONT AXLE - DIFF. ASSEMBLY**



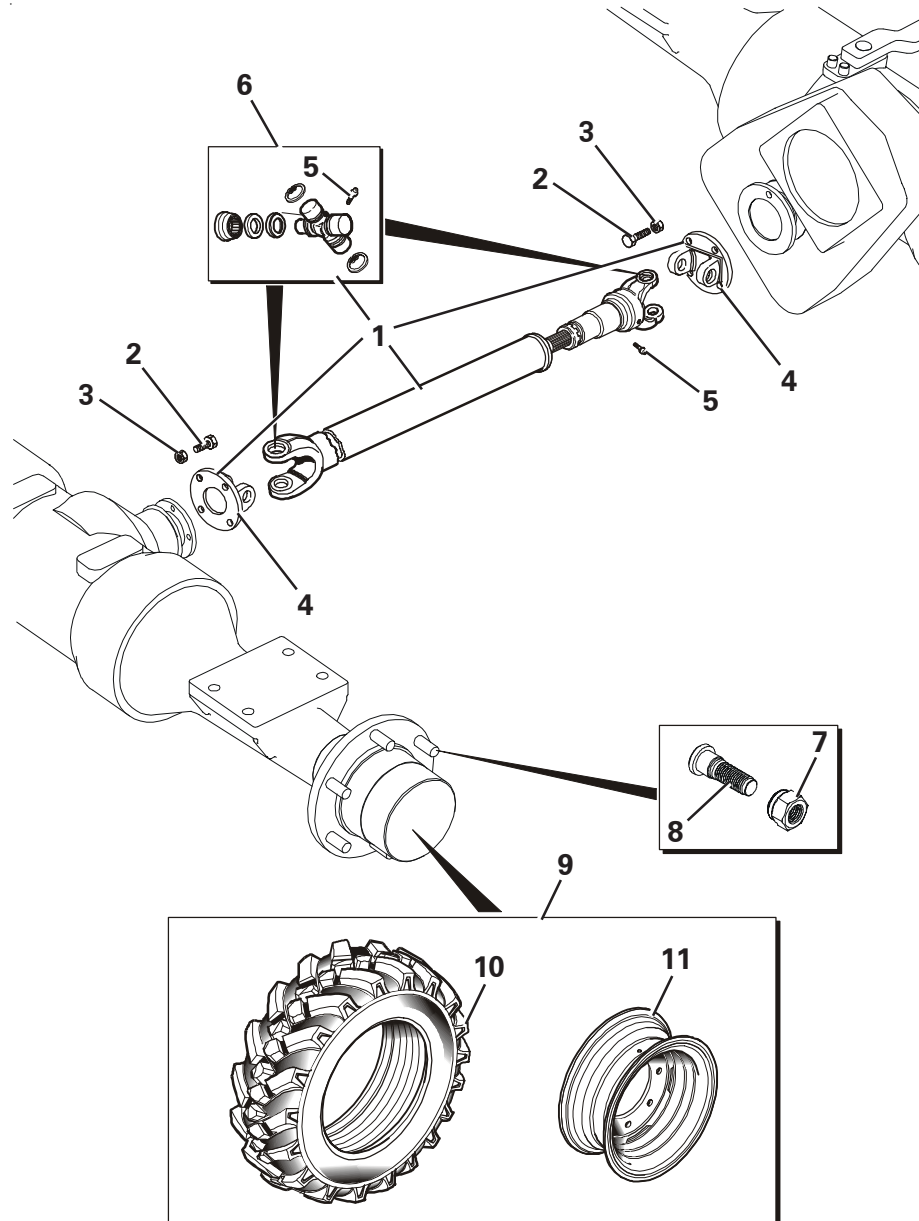
Item	Part No.	Description	Qty	U/M
1	T2886	BOLT	8.0	EA
2	T52733	DIFF SPIDER (HALF)	2.0	EA
3	T50298	DIFF. WHEEL	2.0	EA
4	T2991	NUT	8.0	EA
5	T52782	BEARING	2.0	EA
6	T2890	DIFF CASE	1.0	EA
7	T2888	THRUST WASHER	2.0	EA
8	T50299	DIFF. PINION	4.0	EA
9	T3027	THRUST WASHER	4.0	EA
10	T3036	BEVEL WHEEL & PINION	1.0	EA
11	T2893	PINION BEARING	2.0	EA
12	T50302	SHIM 0.25MM	A/R	EA
	T50303	SHIM 0.30MM	A/R	EA
	T50304	SHIM 0.40MM	A/R	EA
13	T52781	BEARING ADJUSTER NUT	2.0	EA
14	T52810	INPUT PINION CARTRIDGE	1.0	EA
15	T2892	SPACER	1.0	EA
16	T3012	NUT	1.0	EA
17	T2891	OILSEAL	2.0	EA
18	T52811	INPUT DRIVE FLANGE ASSY	1.0	EA
19	T3013	WASHER	1.0	EA

**FRONT AXLE - HUB & ARM**

Item	Part No.	Description	Qty	U/M
1	T52745	OIL SEAL	2.0	EA
2	T52741	BEARING	2.0	EA
3	T52740	BEARING	2.0	EA
4	T52742	SPACER	2.0	EA
5	T52743	LOCKWASHER	2.0	EA
6	T52748	LOCKNUT	2.0	EA
7	T52738	HUB	2.0	EA
8	T52746	BOLT	16.0	EA
9	T52744	DOWEL	4.0	EA
10	T52755	AXLE SHAFT	2.0	EA



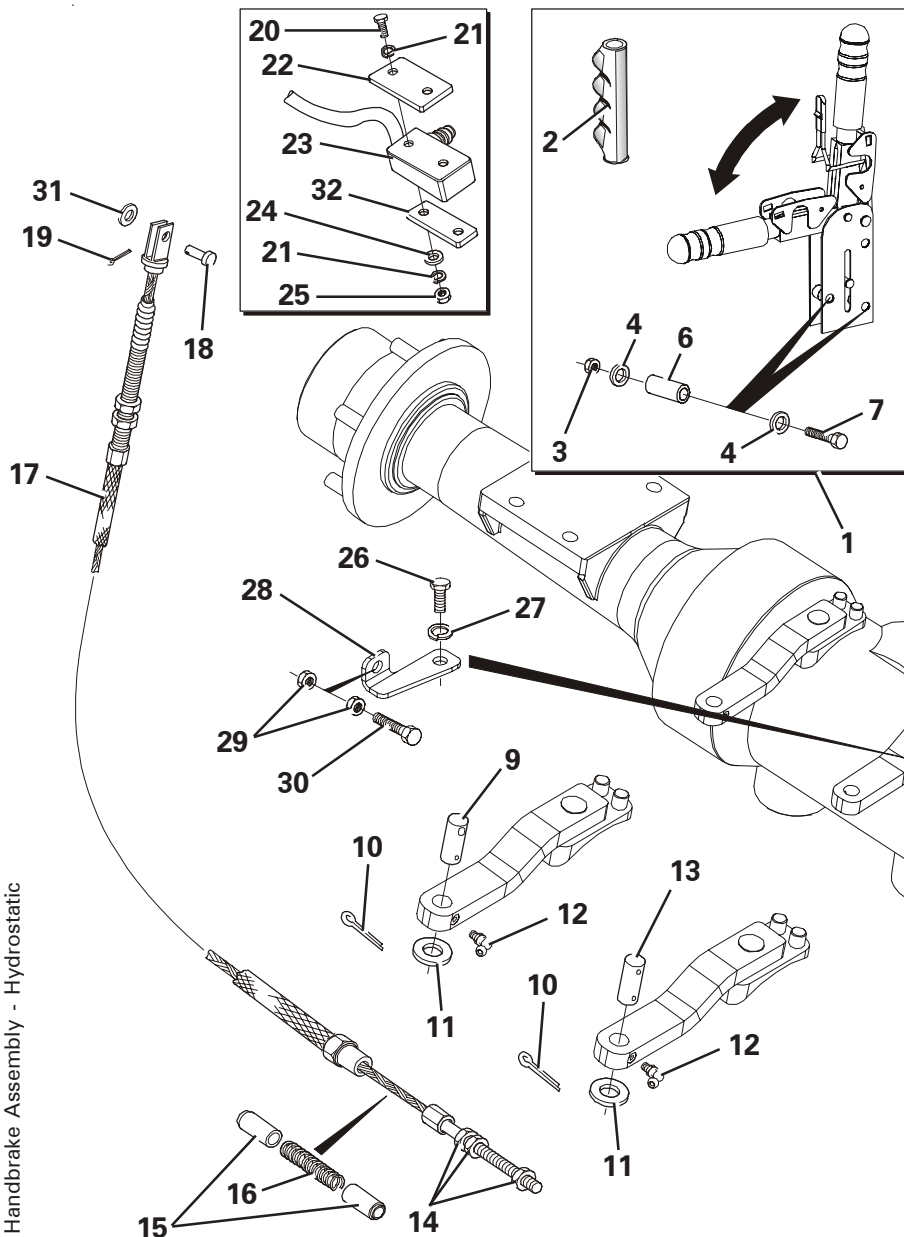
**PROPSHAFT & WHEEL ASSEMBLY**



Item	Part No.	Description	Qty	U/M
1	T100656	PROPSHAFT	1.0	EA
2	T7628	BOLT	8.0	EA
3	T7631	PHILIDAS NUT	8.0	EA
4	T52813	FLANGE	2.0	EA
5	T13454	STRAIGHT GREASE NIPPLE	3.0	EA
6	T52812	UNIVERSAL JOINT	2.0	EA
7	T52747	WHEEL NUT	24.0	EA
8	T52739	WHEEL STUD	24.0	EA
9	T100818	WHEEL ASSY	4.0	EA
10	T100819	TYRE	1.0	EA
11	T100677	WHEEL RIM	1.0	EA

## HANDBRAKE ASSEMBLY

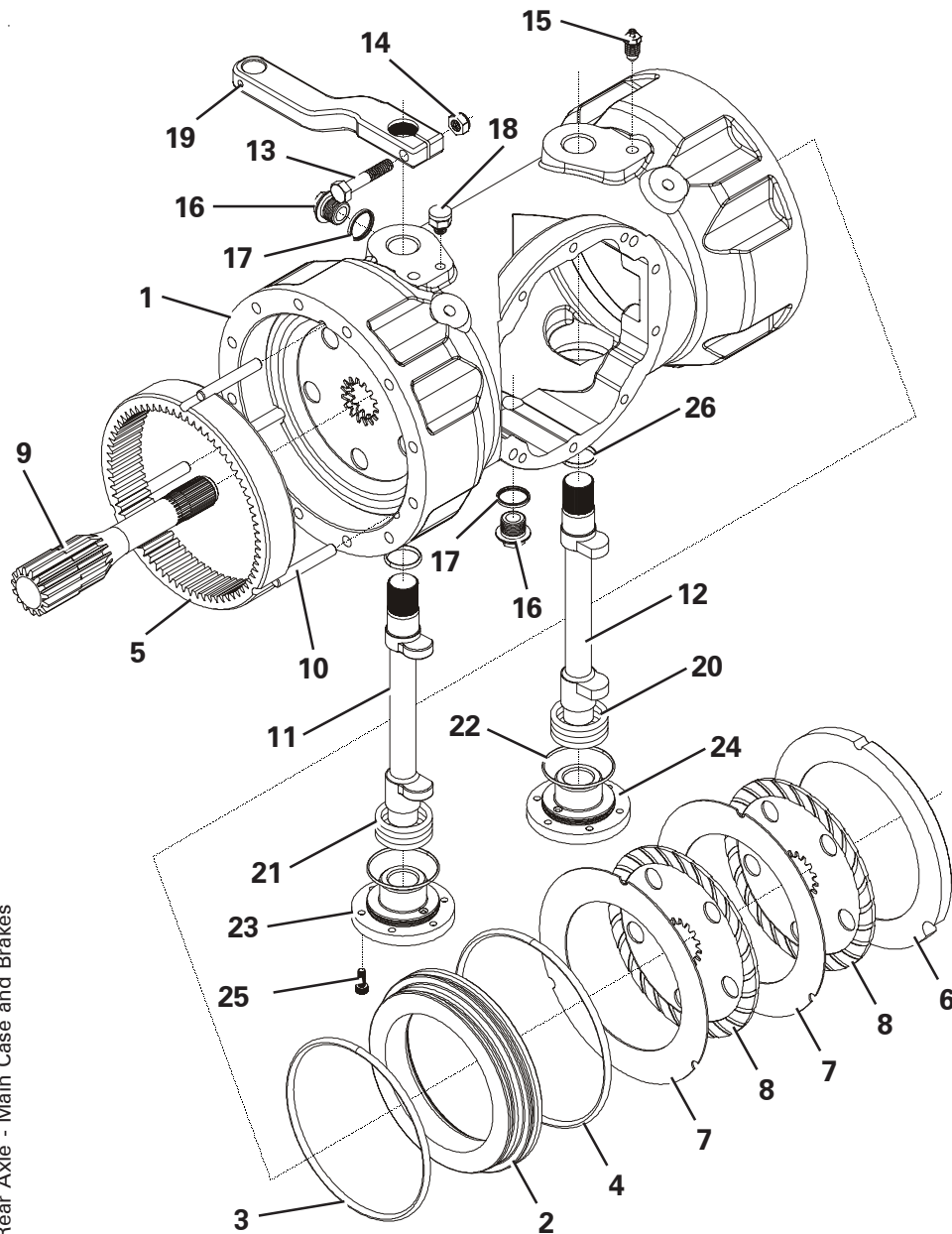
Item	Part No.	Description	Qty	U/M
1*	T100893	HANDBRAKE LEVER	1.0	EA
2*	T52947	GRIP	1.0	EA
3*	T13064	NYLOC NUT	2.0	EA
4*	T15819	WASHER	4.0	EA
5*	DELETED			
6*	T10869	SPACER	2.0	EA
7*	T16501	BOLT	2.0	EA
8*	DELETED			
9	T12210	HANDBRAKE CABLE GUIDE	1.0	EA
10	T6751	SPLIT PIN	2.0	EA
11	T6766	WASHER	2.0	EA
12	T16587	GREASE NIPPLE	2.0	EA
13	T12211	HANDBRAKE CABLE STOP	1.0	EA
14	T6719	NUT	3.0	EA
15	T11768	SPRING SUPPORT	2.0	EA
16	T9722	GALVANISED HANDBRAKE SPRING	1.0	EA
17*	T100957	HANDBRAKE CABLE	1.0	EA
18*	T14101	CLEVIS PIN	1.0	EA
19*	T6702	SPLIT PIN	1.0	EA
20	T13321	SET SCREW	2.0	EA
21	T11439	SPRING WASHER	4.0	EA
22	T13289	BACKING PLATE	1.0	EA
23*	T100912	MICRO SWITCH	1.0	EA
24	T11440	WASHER	2.0	EA
25	T11447	NUT	2.0	EA
26	T15641	SET SCREW	1.0	EA
27	T12972	SPRING WASHER	1.0	EA
28	T100905	BRAKE LEVER STOP BRKT	1.0	EA
29	T10431	NUT	2.0	EA
30	T11433	SET SCREW	1.0	EA
31*	T12973	PLAIN WASHER	1.0	EA
32*	T101186	MICROSWITCH SPACER	1.0	EA



Handbrake Assembly - Hydrostatic

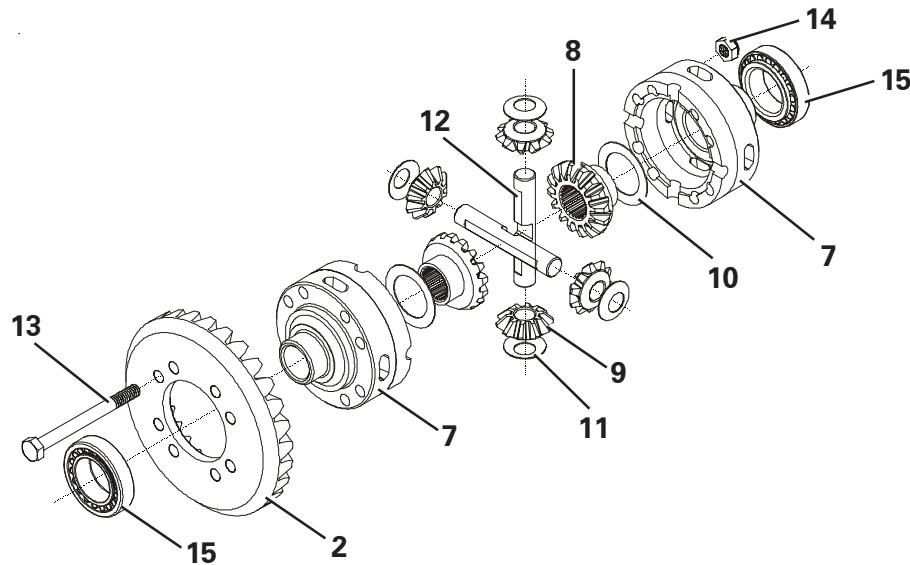
**REAR AXLE - MAIN CASE**

Item	Part No.	Description	Qty	U/M
A	T100641	REAR AXLE & TRANS. BOX ASSY.	1.0	EA
1	T52749	MAIN CASE	1.0	EA
2	T2872	BRAKE PISTON	2.0	EA
3	T2871	'O' RING	2.0	EA
4	T2870	'O' RING	2.0	EA
5	T52756	ANNULUS	2.0	EA
6*	T53200	SPACER PLATE	2.0	EA
7*	T53197	BRAKE PLATE	4.0	EA
8*	T53198	BRAKE DISC	4.0	EA
9	T52760	SUN GEAR	2.0	EA
10	T52761	DOWEL PIN	6.0	EA
11	T52763	BRAKE LEVER LH	1.0	EA
12	T52764	BRAKE LEVER RH	1.0	EA
13	T52767	BOLT	2.0	EA
14	T2991	NUT	2.0	EA
15	T3038	BLEED NIPPLE	1.0	EA
16*	T53074	PLUG	2.0	EA
17	T50423	BOND SEAL	2.0	EA
18*	T53442	BREATHER	1.0	EA
19	T52751	BRAKE OPERATING LEVER	2.0	EA
20	T2849	BRAKE RETURN SPRING	1.0	EA
21	T2861	BRAKE LEVER RETURN SPRING	1.0	EA
22	T52790	'O' RING	2.0	EA
23	T52752	HANDBRAKE LEVER COVER LH	1.0	EA
24	T52753	HANDBRAKE LEVER COVER RH	1.0	EA
25	T52754	CAP HEADED SCREW	12.0	EA
26	T52791	'O' RING	2.0	EA

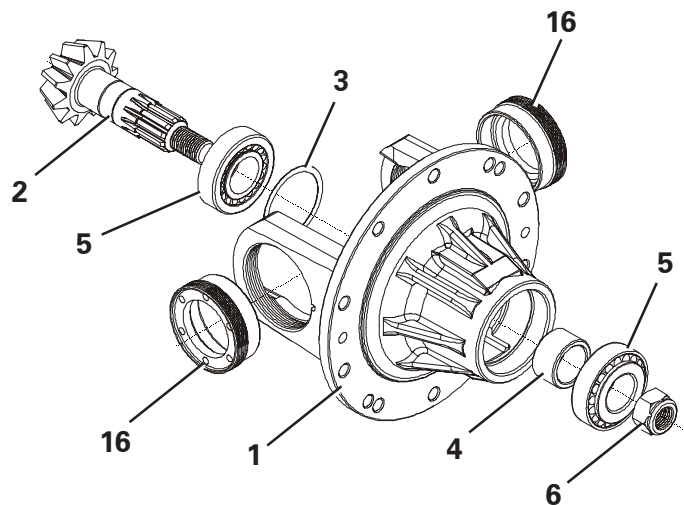


Rear Axle - Main Case and Brakes

**REAR AXLE - DIFF ASSEMBLY**



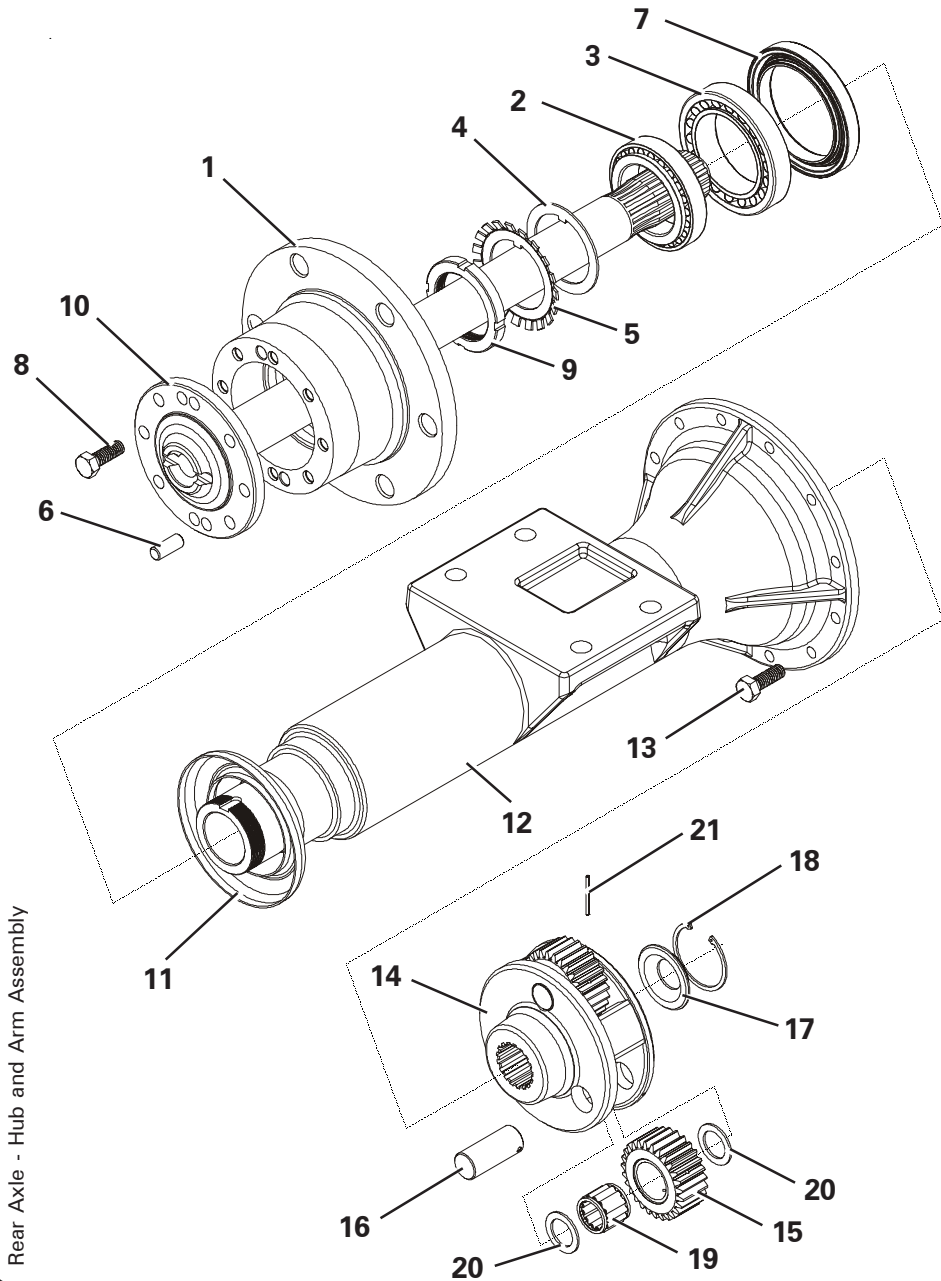
Item	Part No.	Description	Qty	U/M
1	T52727	INPUT PINION CARTRIDGE	1.0	EA
2	T52815	BEVEL WHEEL/PINION	1.0	EA
3	T50302	SHIM 0.25MM	A/R	EA
	T50303	SHIM 0.30MM	A/R	EA
	T50304	SHIM 0.40MM	A/R	EA
4	T52730	SPACER	1.0	EA
5	T2893	PINION BEARING	2.0	EA
6	T3012	NUT FLANGE	1.0	EA
7	T2890	DIFF CASE	1.0	EA
8	T50298	DIFF.WHEEL	2.0	EA
9	T50299	DIFF.PINION	4.0	EA
10	T2888	THRUST WASHER	2.0	EA
11	T3027	THRUST WASHER	4.0	EA
12	T52733	DIFF SPIDER	2.0	EA
13	T2886	BOLT	8.0	EA
14	T2991	NUT	8.0	EA
15	T3716	TAPER BEARING	2.0	EA
16	T52781	BEARING ADJUSTER NUT	2.0	EA



Rear Axle - Diff Assembly

**REAR AXLE - HUB AND ARM**

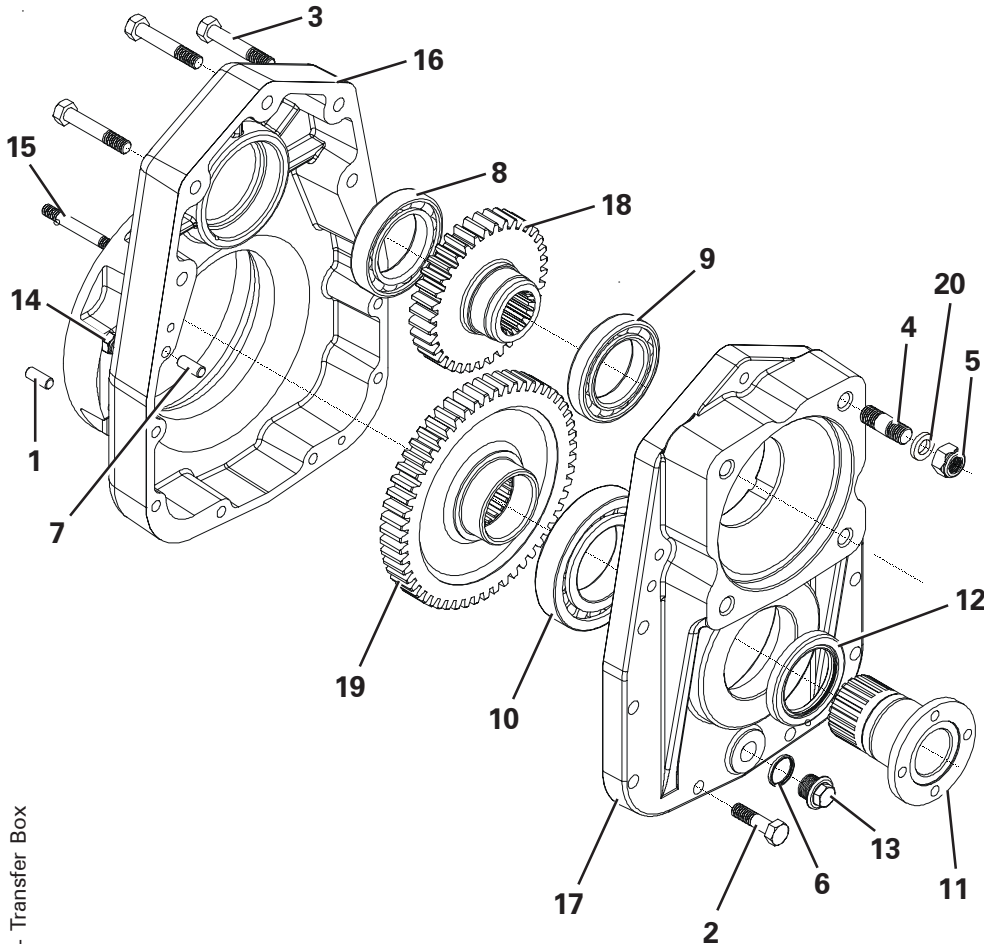
Item	Part No.	Description	Qty	U/M
1	T52738	HUB	2.0	EA
2	T52740	BEARING	2.0	EA
3	T52741	BEARING	2.0	EA
4	T52742	SPACER	2.0	EA
5	T52743	LOCKWASHER	2.0	EA
6	T52744	DOWEL	4.0	EA
7	T52745	OIL SEAL	2.0	EA
8	T52746	BOLT	16.0	EA
9	T52748	LOCKNUT	2.0	EA
10	T52755	AXLE SHAFT	2.0	EA
11	T52759	HUB SEAL COVER	2.0	EA
12	T52765	AXLE ARM - L	1.0	EA
	T52766	AXLE ARM - R	1.0	EA
13	T52762	BOLT	24.0	EA
14	T52734	PLANET CARRIER	2.0	EA
15	T52735	PLANET GEAR	6.0	EA
16	T52736	PLANET PIN	6.0	EA
17	T50365	SPACER AXLE SHAFT	2.0	EA
18	T2687	CIRCLIP	2.0	EA
19	T52737	NEEDLE BEARING	6.0	EA
20	T50367	THRUST WASHER	12.0	EA
21	T2880	SPRING DOWEL	6.0	EA



Rear Axle - Hub and Arm Assembly

**REAR AXLE - TRANSFER BOX**

Item	Part No.	Description	Qty	U/M
1	T3019	DOWEL PIN	2.0	EA
2	T52768	SCREW	10.0	EA
3	T52769	BOLT	3.0	EA
4	T52770	STUD	4.0	EA
5	T2650	NUT	4.0	EA
6	T50423	BOND SEAL	1.0	EA
7	T2731	DOWEL	2.0	EA
8	T52771	BEARING	1.0	EA
9	T52772	BEARING	1.0	EA
10	T52773	ROLLER BEARING	1.0	EA
11	T52774	DRIVE FLANGE	1.0	EA
12	T52775	OIL SEAL	1.0	EA
13	T4248	PLUG	1.0	EA
14	T2991	NUT	10.0	EA
15	T52776	STUD	10.0	EA
16	T52777	TRANSFER CASE LH	1.0	EA
17	T52778	TRANSFER CASE RH	1.0	EA
18	T52779	INPUT PINION 36T	1.0	EA
19	T52780	INPUT WHEEL 55T	1.0	EA
20	T6765	THIN WASHER	4.0	EA



Rear Axle - Transfer Box

**OPTIONAL EXTRAS**

Part No.	Description	Qty	U/M
T100133	ROTATING BEACON	1.0	EA
T100308	XENON BEACON	1.0	EA
KIT 232	ACCESSORIES - REVERSE ALARM	1.0	EA
KIT 242	ACCESSORIES - ELECTRONIC SHUTDOWN	1.0	EA
T100743	ANTI SLIP PADS (MUDGUARDS)	4.0	EA
T100939	ACCESSORIES - ROPS FRAME KIT	1.0	EA
T100940	ACCESSORIES - HINGED ROPS FRAME KIT	1.0	EA
T100901	ACCESSORIES - HANDBRAKE WARNING BUZZER	1.0	EA
KIT 253	TRANSFER SET - 4.5 TONNE	1.0	EA

**MODIFIED AND ADDITIONAL PARTS**

Old Part No.	Qty	Description	Page	Item	Prefix	New Part No.
T52309	1.0	WARNING BUZZER	13	13	2	T100902
T100500	1.0	PANEL HARNESS	13	24	2	T100924
T100501	1.0	ENGINE HARNESS	16	1	2	T100923
T100358	1.0	CONTROL MGT BRACE ASSY	4	23	2	T100955
T100220	1.0	HANDBRAKE LEVER GAITER	4	26	2	T100911
T100236	1.0	HANDBRAKE LEVER	41	1	2	T100893
T52661	1.0	GRIP	41	2	2	T52947
T13457	2.0	NYLOC NUT	41	3	2	T13064
T9345	3.0	WASHER	41	4	2	T15819
T52663	1.0	SHOULDERED SPACER	41	5	2	DELETED
T52662	1.0	SPACER	41	6	2	T10869
T17157	1.0	BOLT	41	7	2	T16501
T2468	1.0	BOLT	41	8	2	DELETED
T100630	1.0	HANDBRAKE CABLE	41	17	2	T100957
T7044	1.0	CLEVIS PIN	41	18	2	T14101
T6702	1.0	SPLIT PIN	41	19	2	T6702
T100223	1.0	MICRO SWITCH	41	23	2	T100912
ADDED	1.0	WASHER	41	31	2	T12973
T100772	1.0	ELBOW	24	12	2	T13936
ADDED	1.0	HYDRAULIC SEAL	24	23	2	T5596
T11786	1.0	BATTERY	12	17	-	T100967
ADDED	1.0	MICROSWITCH SPACER	41	32	-	T101186
ADDED	1.0	SET BOLT	31	25	-	T10917
ADDED	1.0	SPRING WASHER	31	26	-	T14837
ADDED	1.0	WASHER	31	27	-	T6668
ADDED	1.0	`P` CLIP	31	28	-	T101118
T4248	2.0	PLUG	37	5	-	T53074
T4248	2.0	PLUG	42	16	-	T53074
T7540	3.0	JUBILEE CLIP	31	1	-	T7872
T100581	2.0	SKIP STOP	5	8	-	T100302
ADDED	1.0	HYDRAULIC TANK GUARD	18	36	-	T101241
T100757	1.0	BATTERY STRAP TOP	12	20	-	T100432

**MODIFIED AND ADDITIONAL PARTS**

Old Part No.	Qty	Description	Page	Item	Prefix	New Part No.
T100530	1.0	OIL COOLER	35	5	3	T53108
T100625	1.0	RADIATOR	35	8	3	T101365
T100623	1.0	RADIATOR COWL	36	20	3	T53107
T100640	1.0	LIGHT BRKT LH	15	15	-	T101752
T100617	1.0	LIGHT BRKT RH	15	22	-	T101753
T14282	4.0	ENGINE MOUNT	28	8	4	T14564
T12858	4.0	BOLT	11	12	5	T101725
T7631	4.0	PHILIDAS NUT	11	13	5	T101724
T100212	2.0	HINGE WITH GREASE NIPPLE	4	13	-	DELETED
ADDED	1.0	HINGE RH (WITH GREASE NIPPLE)	4	13	-	T101780
ADDED	1.0	HINGE LH (WITH GREASE NIPPLE)	4	32	-	T101779
T19788	1.0	ADAPTOR	18	27	-	DELETED
T52694	1.0	SUCTION ELEMENT	18	28	-	T101240
ADDED	1.0	HYD SEAL	17	13	-	T5594
ADDED	1.0	BREATHER EXTENSION	18	37	-	T101634
T100590	1.0	DRIVE COUPLING ASSY	24	14	6	T101117
T52875	1.0	HUBSTAR	24	15	6	T53165
T52874	1.0	ELEMENT	24	16	6	T53166
T52856	1.0	PUMP HOUSING PLATE	24	17	6	T53167

**MODIFIED AND ADDITIONAL PARTS TO AXLES - T100544**

Old Part No.	Qty	Description	Page	Item	Serial No.	New Part No.
T52750	1.0	BREATHER	37	4	-	T53442

**MODIFIED AND ADDITIONAL PARTS TO AXLES - T100641**

Old Part No.	Qty	Description	Page	Item	Serial No.	New Part No.
T52757	2.0	SPACER PLATE	42	6	1673090	T53200
T52758	4.0	BRAKE PLATE	42	7	1673090	T53197
T2854	4.0	BRAKE DISC	42	8	1673090	T53198
N/A	1.0	BRAKE PLATE KIT (CONSISTING THE ABOVE)	42	6,7,8	1673090	KIT 281

NEW AND OLD PARTS MUST NOT BE MIXED. PLEASE ORDER KIT 281 WHEN REPLACING OLD PARTS.

T52750	1.0	BREATHER	42	18	-	T53442
--------	-----	----------	----	----	---	--------

**MODIFIED AND ADDITIONAL PARTS**

Old Part No.	Qty	Description	Page	Item	Prefix	New Part No.
--------------	-----	-------------	------	------	--------	--------------

## Service and Warranty

Thwaites give a warranty which, subject to certain conditions, gives an assurance as to the quality of their product.

### The Thwaites warranty states:-

In the manufacture of Thwaites machines we endeavour to ensure that only the best workmanship and materials are used. Consequently, provided:-

1. The machine has been properly used in accordance with our recommendations and,
2. That no alterations have been made to the machine without prior written approval and,
3. That the machine has been maintained, serviced and lubricated in accordance with our recommendations and,
4. That Thwaites Warranty Certificate and/or New Machine Delivery Report has been completed and received by Thwaites within one month of delivery to the user.
5. That Thwaites receive a correctly completed Warranty Claim form within thirty days of the failure occurring.
6. **UK**  
That the alleged defective parts are returned to Thwaites within 6 weeks of date of failure.
7. **All other territories**  
That unless otherwise instructed the alleged defective parts are to be stored for inspection for a 6 month period from date of failure.

We will examine the alleged defective part and if we are reasonably satisfied that any defect is solely due to bad workmanship or materials, we will at our cost and at our option either repair any defective part or supply a replacement part in full discharge of all obligations upon us.

This warranty does not, however, extend to reconditioned or second-hand machines. For the avoidance of doubt, we will not entertain any other claims of a direct or consequential nature of whatsoever description and our responsibility is limited to the above.

The above warranty shall in no way detract from your statutory rights

#### **Warranty**

It is important to use only genuine Thwaites Limited spare parts and to adhere strictly to the conditions of operation and maintenance laid down by Thwaites Limited.

**Your warranty may be invalidated if you do not comply with the above recommendations.**